

**Indesit Company
International Business Sa**
Centro Gerre
Via Pobiette, 11
CH-6928 Manno
(Lugano) - Switzerland
Ph. (+41) 91 6119900
Fax (+41) 91 6119990
www.indesit.com

Indesit Company S.p.A.
Viale Aristide Merloni, 47
60044 Fabriano (AN)
Ph. (+39) 0732 6611
Fax (+39) 0732 662380
Italia

**Indesit Company
Singapore Pte Ltd**
99 Bukit Timah Rd
#02-03/04 Alfa Centre
Singapore 229835
Tel: 0065-6411 5185
Fax: 0065-6339 4186

Indesit Middle East FZE
Jebel Ali - JAFZA view 18
Dubai - P.O. Box 262586
United Arab Emirates
Ph. (+971) 4 8865995
Fax (+971) 4 8865996

aristonchannel.com

BUILT-IN APPLIANCES COLLECTION HOME 2015

 ARISTON

BUILT-IN
APPLIANCES
COLLECTION
HOME

COLLECTION 2015



THE PERFECTION OF HD IN EVERYDAY LIFE.

THE EXCELLENCE OF ARISTON APPLIANCES STEMS FROM ON-GOING RESEARCH WHICH ENCOURAGES OUR ENGINEERS TO DEVISE CUTTING-EDGE SOLUTIONS.

EVERY PRODUCT REFLECTS THE DESIRE TO CREATE INTELLIGENT SOLUTIONS WITH A FUNCTIONAL DESIGN THAT FULLY COMPLY WITH ENVIRONMENTAL PROTECTION REQUIREMENTS.

THE MOST ADVANCED TECHNOLOGY APPLIED TO EVERYDAY LIFE GUARANTEES WHAT WE REFER TO AS "HD RESULTS": NAMELY HIGH-DEFINITION RESULTS THAT EXCEED THE EXPECTATIONS OF THE MOST DEMANDING CONSUMERS.

A GUARANTEE FOR OUR CUSTOMERS OF TODAY AND OF TOMORROW.



LUCE

Designed to provide cutting-edge solutions together with maximum ease of use, **Luce** electrical appliances combine the high quality of glass with the sturdiness of steel for an innovative, elegant design that can be coordinated with other products in the range.



NEWSTYLE

The **Newstyle** range of electrical appliances features details and solutions designed to make every movement simple and every function practical and safe and creates a welcoming environment with its clean, modern and original lines.



OVENS AND COLLECTION 45 CM

"I'd love an oven that guarantees perfect evenly cooked food."



Dual Flow System.
Perfectly even cooking thanks to the constant temperature
at all levels and in every part of oven.

DUAL FLOW SYSTEM. HEAT EVENLY COOKS TO PERFECTION.



The innovative Dual Flow System technology circulates heat in all directions of the oven and spreads it uniformly over every point and level. The electronic control, which manages the cooking cycles, keeps the heat constant. This results in two things: perfect cooking and an invitingly even colour that is also a feast for the eyes.

EVENLY
COOKED
AT 180°

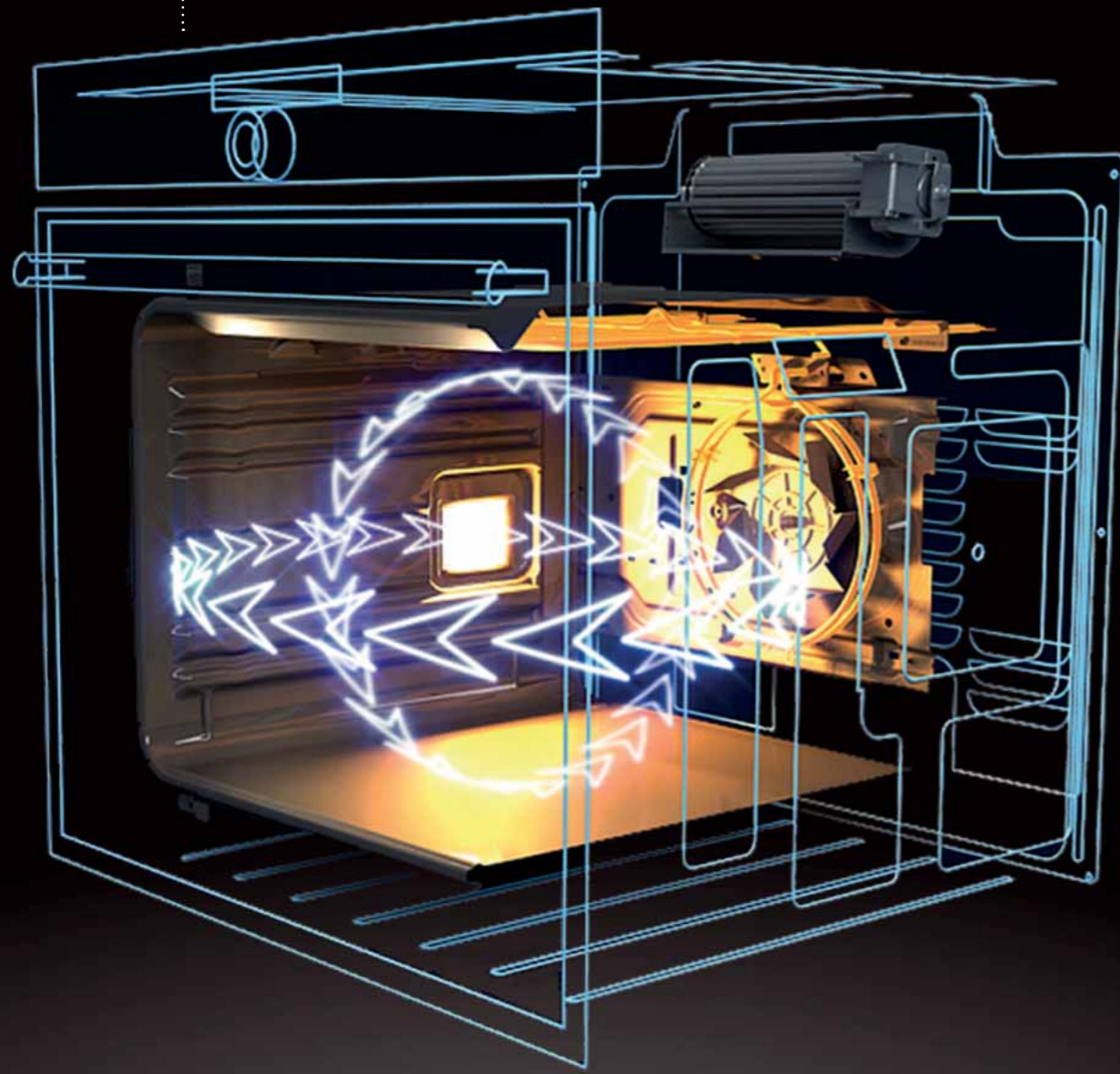
EVENLY
COOKED
AT 180°

EVENLY
COOKED
AT 180°



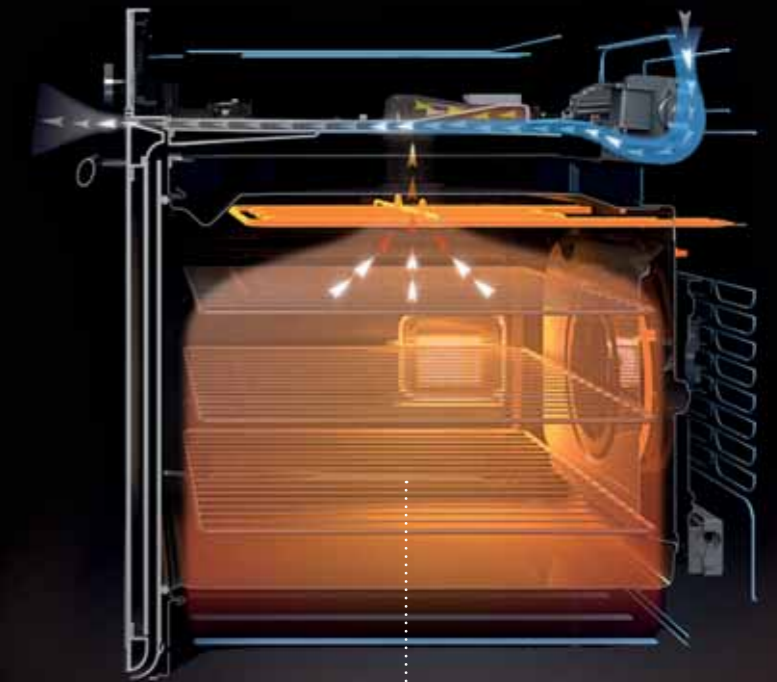
DUAL FLOW SYSTEM. EVEN CONSTANT HEAT FOR PERFECT COOKING.

The Dual Flow System, a patent exclusive to Indesit Company, is a technological innovation that gives totally uniform results at all stages of cooking. The fan located inside the cavity creates two separate air flows which ensure even cooking.

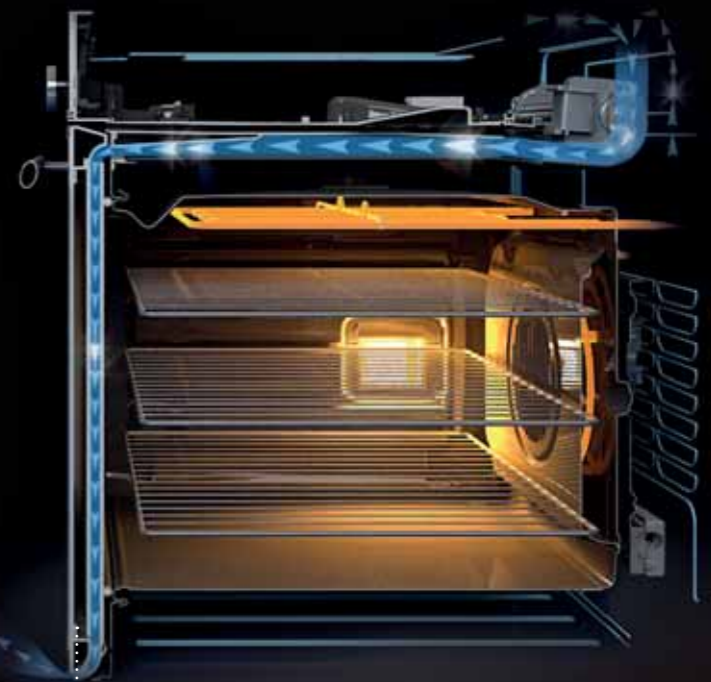


THERMAL INSULATION AND TWO FLOWS OF COLD AIR

The exclusive Dual Flow System is a device that uses dual channelling of the air from the chimney and the ventilation fan to guarantee that uniform warm air circulates and keeps the temperature of the oven door lower than conventional ovens. This is a true advantage which increases safety, particularly when children are present. Additionally, cold air collected from around the oven is drawn in by the fan and then divided into two flows.



The first flow extracts warm air from the chimney and pushes it out of the oven.



The second air flow, in a parallel channel, passes inside the door, cooling it, and then exits via a deflector located in the bottom of the oven.

AUTOMATIC AND MANUAL PROGRAMMES FOR THE BEST RESULTS.



AUTOMATIC PROGRAMMES

Thanks to patented technology and the valuable experience of expert chefs, the automatic programmes make it really easy for you to prepare all types of dishes and to achieve excellent results every time. By selecting the desired function, the oven automatically adjusts all the cooking settings using the Programmed Optimum Cooking system that keeps the temperature constant until the food is cooked.



MANUAL PROGRAMMES

Using the manual programmes, you can change the pre-set temperature from 40° to 250° according to your own preferences and cooking experience. With Ariston ovens, you can also cook at low temperatures, a professional and healthy way of cooking used to create light and tasty dishes.

LUCE MULTI 31 OVEN

AUTOMATIC PROGRAMMES

Bread
Beef
Veal
Lamb
Pork
Chicken
Fish fillet
Fish in papillote
Tarts

Pies
Brioche
Plum-cake
Cakes
Paella
Pilaf Rice
Yogurt
Pizzeria

MANUAL PROGRAMMES

Multilevel
Barbecue
Gratin
Rotisserie
Fish
Pizza
Rising
Pastries
Pasteurisation
Low temperature for meat
Low temperature for fish
Low temperature for vegetables
Defrosting
Eco

OPENSACE LUCE MULTI 14

EXTRALARGE CAVITY

AUTOMATIC PROGRAMMES

Bread
Beef
Chicken
Cakes
Fish fillet

Multilevel
Barbecue
Gratin
Pizza
Low temperature for meat
Low temperature for fish
Low temperature for vegetables
Fast Cooking
Eco

MAIN SPACE CAVITY

AUTOMATIC PROGRAMMES

Beef
Chicken
Cakes

Multilevel
Low temperature for meat
Low temperature for fish
Low temperature for vegetables
Pizza

SMALL SPACE CAVITY

AUTOMATIC PROGRAMMES

-

Barbecue
Fast Cooking

OPENSACE LUCE MULTI 12

EXTRALARGE CAVITY

AUTOMATIC PROGRAMMES

Bread
Beef
Cakes

MANUAL PROGRAMMES

Multilevel
Barbecue
Gratin
Pizza
Low temperature for meat
Low temperature for fish
Low temperature for vegetables
Fast Cooking
Eco

MAIN SPACE CAVITY

AUTOMATIC PROGRAMMES

Beef
Chicken

MANUAL PROGRAMMES

Multilevel
Low temperature for meat
Low temperature for fish
Low temperature for vegetables
Pizza
Eco

SMALL SPACE CAVITY

AUTOMATIC PROGRAMMES

-

MANUAL PROGRAMMES

Barbecue
Fast Cooking

LUCE MULTI 14 OVEN

AUTOMATIC PROGRAMMES

Bread
Beef
Fish fillet
Cakes
Tarts

MANUAL PROGRAMMES

Multilevel
Barbecue
Gratin
Low temperature for meat
Low temperature for fish
Low temperature for vegetables
Pizza
Pastries
Eco

LUCE MULTI 12 OVEN

AUTOMATIC PROGRAMMES

Bread
Cakes

MANUAL PROGRAMMES

Multilevel
Barbecue
Gratin
Low temperature for meat
Low temperature for fish
Low temperature for vegetables
Pizza
Pastries
Fast Cooking
Eco

MULTI 8 OVEN

MANUAL PROGRAMMES

Traditional
Multilevel
Grill
Gratin
Pizza
Pastries
Fast Cooking
Defrosting/Rising

MAXI-OVEN 8

MANUAL PROGRAMMES

Traditional
Multilevel
Grill
Gratin
Pizza
Cakes
Fast Cooking
Defrosting

MULTI 6 OVEN

MANUAL PROGRAMMES

Traditional
Multilevel
Grill
Gratin
Pizza
Pastries

MULTI 5 OVEN

MANUAL PROGRAMMES

Traditional
Multilevel
Grill
Gratin
Top heat



PRACTICALITY AND RESISTANCE, UNDER CONTROL AT ALL TIMES.

CHROME GUIDES

The chromium-plated steel guides guarantee maximum stability and allow the grids to slide easily when inserting baking trays. This makes the oven interior even more practical and convenient to use.



SOFT CLOSING

The Soft Closing device, not available on all models, is a system that uses new generation hinges to gently accompany the oven door and avoid slamming it shut.



LED LIGHTING

LEDs are located on the internal walls of the oven door which significantly increase visibility in the cavity during cooking and help you to keep an eye on food without opening the door. It is an intelligent lighting system that illuminates the food perfectly without forming shadows.



TELESCOPIC GUIDES

The practical telescopic guides which support and accompany the drip pan or the grill when they are taken out of the oven make it even easier and safer to check how food is cooking. They are also dishwasher-proof.

EASIER CLEANING WITHOUT CHEMICALS.

EASY TO CLEAN ENAMEL

Ariston uses resistant, easy to clean AA* class enamel to cover the internal cavity and the drip pan. Consisting of a ceramic covering welded to the metal at a melting temperature of over 850°C, it is an enamel that is four times more resistant to corrosion and high temperatures.

*In compliance with ISO 28706-1:2008: determination of resistance to chemical corrosion of vitreous and porcelain enamels. (N.B.: enamels without additional covering).



FAST CLEAN

Fast Clean is an automatic cleaning cycle that does not use chemicals. You can choose from three pyrolytic cycles depending on the type of dirt you want to remove. When the cycle ends, simply wipe with a damp cloth to remove the ash residue.

SAFETY

Ariston ovens are equipped with innovative safety devices for completely safe use. For example, due to the Dual Flow System, the oven door never reaches very high temperatures. During normal cooking, the door on pyrolytic ovens never exceeds 35° whereas it remains at 60° during the pyrolytic self-cleaning programme: 10° less than models with conventional ventilation systems. For improved safety, Ariston ovens also have a door lock that prevents accidental and potentially dangerous opening. The control panel can also be locked to prevent the cooking settings to be modified.

FUNCTIONAL HIGH VISIBILITY SOLUTIONS.

OVEN DOOR

Treated with advanced technology that makes it heat reflective, the inner glass of the oven door is a low emission type for significant energy saving. When the glass is processed, very thin layers of metal oxides are applied to it which increase its capacity to reflect a part of the infrared radiation generated by the oven heating elements. This causes less heat loss, better insulation and a lower external temperature.

GLASS INNER DOOR

Due to the fact that it has no crevices, the inner door made of highly resistant tempered glass, is extremely easy to clean since food and grease are not deposited on it.



GREY CAVITY

Ariston has designed a grey colour specially for oven cavities which improves visibility and makes it easier to keep an eye on food as it is being cooked: this solution makes the interior much brighter.

OPENSOURCE OVEN: A MAXI 77 LITRE CAPACITY INSIDE A STANDARD 60 CM SIZE.

Ariston has created a real innovation with Openspace: the first 60 cm oven with a 77 litre capacity, 25% more than a standard oven with the same cavity and external dimensions. Extremely versatile, Openspace allows you to use the upper or lower cavity independently or cook in both cavities at the same time by using the extra space and cutting down on cooking times and energy consumption.

INSULATING DIVIDER: DIVIDE THE SPACE TO MULTIPLY IT.

Openspace's most innovative feature is the insulating divider that divides the whole ExtraLarge cavity into two different-sized spaces: Small Space and Main Space.



SMALL SPACE

The smaller space, approximately 23 litres: the perfect solution for quick cooking, for example, with the Fast Cooking system for frozen foods and to heat food up quickly. The Barbecue function is ideal for grilling large quantities of fish, kebabs and vegetables or for making toasted sandwiches.



MAIN SPACE

This has a capacity of approximately 51 litres, 3 automatic functions and 5 manual ones for all needs: you can cook up on to 3 levels at the same time and reduce energy consumption compared with standard ovens thanks to its compact size and quicker heating up times.



DOUBLE SPACE

The Small and Main spaces can be used at the same time to keep very different food such as fish and cakes at temperatures of 50 to 250°C with a difference of as much as 100°C between the two areas. All this safe in the knowledge that the divider will not allow smells and flavours to mix.



EXTRALARGE

77 litres of great technology to cook large amounts of food on 4 levels at the same time. 14 functions: 9 universal ones and 5 automatic programmes with preset times and temperatures for perfect results every time, whatever the recipe.





LUCE OK 103E D P.20 X S
Cod. F080861
EAN 8007842808612



MULTIFUNTION 14

- Touch Control
- Fast Clean Pyrolytic Cycles
- Cooking Programs: Barbecue, Low Temperature, Cakes, Gratin, Beef, Multilevel, Bread, Fast Cooking, Fillet Fish, Pizza, Chicken, Eco
- 74 l capacity
- 1 Tray, 3 Grids, Divider
- **Energy Class: A-20%**

Stainless Steel



LUCE OK 892EL P X AUS S
Cod. F080879
EAN 8007842808797



MULTIFUNTION 12

- Electronic Knobs + Touch Buttons
- Fast Clean Pyrolytic Cycles
- Cooking Programs: Barbecue, Low Temperature, Cakes, Eco, Fast Cooking, Gratin, Multilevel, Bread, Beef, Pizza
- 77 l capacity
- 1 Tray, 3 Grids
- **Energy Class: A**

Stainless Steel

Also available with Catalytic cleaning:
Stainless Steel OK 897EL C X AUS S
Cod. F080872 - EAN 8007842808728



LUCE OK 999EL D P X AUS S
Cod. F080874
EAN 8007842808742



MULTIFUNTION 12

- Electronic Knobs + Touch Buttons
- Fast Clean Pyrolytic Cycles
- Cooking Programs: Barbecue, Low Temperature, Cakes, Eco, Fast Cooking, Gratin, Multilevel, Bread, Beef, Pizza
- 77 l capacity
- 1 Tray, 3 Grids, Divider
- **Energy Class: A**

Stainless Steel

Also available: the Experience Line
Stainless Steel OS 99D P IX S
Cod. F080556 - EAN 8007842805567



LUCE OK 89E X S
Cod. F080863
EAN 8007842808636



MULTIFUNTION 12

- Electronic Knobs + Touch Buttons
- Manual cleaning
- Cooking Programs: Barbecue, Low Temperature, Cakes, Eco, Fast Cooking, Gratin, Multilevel, Bread, Beef, Pizza
- 74 l capacity
- 1 Tray, 3 Grids
- **Energy Class: A**

Stainless Steel



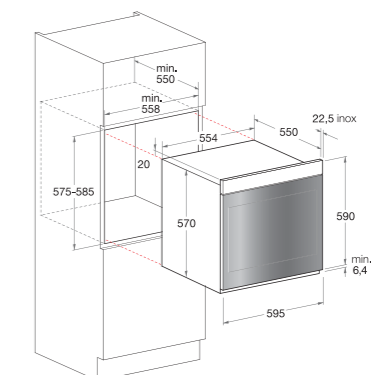
LUCE OK 89E D X 60 HZ S
Cod. F080862
EAN 8007842808629



MULTIFUNTION 12

- Electronic Knobs + Touch Buttons
- Manual cleaning
- Cooking Programs: Barbecue, Low Temperature, Cakes, Eco, Fast Cooking, Gratin, Multilevel, Bread, Beef, Pizza
- 74 l capacity
- 1 Tray, 3 Grids, Divider

Stainless Steel



Multifunction Ovens



LUCE FK 1041LX S
Cod. F080860
EAN 8007842808605



MULTIFUNCTION 31

- Single knob + Touch Buttons
- Manual cleaning
- Cooking Programs:
Lamb, Barbecue, Low Temperature Meat, Low Temperature Fish, Low Temperature Vegetables, Brioche, Tarts, Cakes, Eco, Fish, Gratin, Rising, Pork, Beef, Multilevel, Paella, Bread, Pastries, Pasteurization, Fish In Papillote, Fillet Fish, Pizza, Pizzeria, Plum Cake, Chicken, Rice Pilaf, Rotisserie, Defrosting, Cake, Veal, Yogurt
- 62 l capacity
- 1 Deep Tray, 2 Grids
- **Energy Class: A**

Stainless Steel



LUCE FK 103E P X S
Cod. F080868
EAN 8007842808681



MULTIFUNCTION 14

- Touch Control
- Fast Clean Pyrolytic Cycles
- Cooking Programs:
Barbecue, Low Temperature, Tarts, Cakes, Gratin, Beef, Multilevel, Bread, Pastries, Fillet Fish, Pizza, Eco
- 59 l capacity
- 1 Tray, 2 Grids
- **Energy Class: A**

Stainless Steel

Also available with Pull-Out 2 Level Guides:
Stainless Steel FK 1032E P X 60HZ S
Cod. F080869 - EAN 8007842808698

with Manual cleaning:
Stainless Steel FK 1032E X S
Cod. F080857 - EAN 8007842808575
Stainless Steel FK 103E X 60HZ S
Cod. F080858 - EAN 8007842808582



LUCE FK 996E C X S
Cod. F080867
EAN 8007842808674



MULTIFUNCTION 12

- Electronic Knobs + Touch Buttons
- Catalytic cleaning
- Cooking Programs:
Barbecue, Low Temperature, Cakes, Eco, Fast Cooking, Gratin, Multilevel, Bread, Pastries, Pizza
- 59 l capacity
- 1 Deep Tray, 2 Grids
- **Energy Class: A**

Stainless Steel



LUCE FK 898E P X AUS S
Cod. F080870
EAN 8007842808704

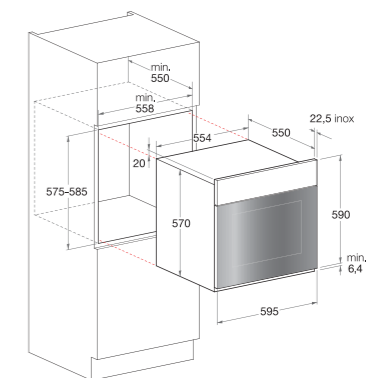


MULTIFUNCTION 12

- Electronic Knobs + Touch Buttons
- Fast Clean Pyrolytic Cycles
- Cooking Programs:
Barbecue, Low Temperature, Cakes, Eco, Fast Cooking, Gratin, Multilevel, Bread, Pastries, Pizza
- 62 l capacity
- 1 Deep Tray, 1 Tray, 2 Grids
- **Energy Class: A**

Stainless Steel

Also available with Manual cleaning:
Stainless Steel FK 89E X S
Cod. F080855 - EAN 8007842808551



Multifunction Ovens



LUCE FK 83 X S
Cod. F080853
EAN 8007842808537



- MULTIFUNCTION 8**
- Knobs + Buttons
 - Manual cleaning
 - Cooking Programs: Fast Cooking, Gratin, Grill, Multilevel, Pastries, Pizza, Defrosting, Traditional
 - 59 l capacity
 - 1 Tray, 2 Grids
 - **Energy Class: A**

Stainless Steel



LUCE FK 737 C X AUS S
Cod. F080871
EAN 8007842808711



- MULTIFUNCTION 6**
- Knobs + Buttons
 - Catalytic cleaning
 - Cooking Programs: Gratin, Grill, Multilevel, Pastries, Pizza, Traditional
 - 62 l capacity
 - 1 Tray, 2 Grids
 - **Energy Class: A**

Stainless Steel



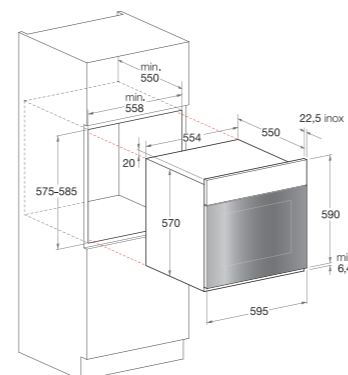
LUCE FK 62 C X S
Cod. F080851
EAN 8007842808513



- MULTIFUNCTION 6**
- Knobs
 - Catalytic cleaning
 - Cooking Programs: Gratin, Grill, Multilevel, Pastries, Pizza, Traditional
 - 59 l capacity
 - 1 Tray, 2 Grids
 - **Energy Class: A**

Stainless Steel

Also available:
with Manual cleaning:
Stainless Steel FK 62 X S
Cod. F080852 - EAN 8007842808520
with Manual cleaning and Stainless Steel
guides:
Stainless Steel FK 617 X AUS S
Cod. F080866 - EAN 8007842808667

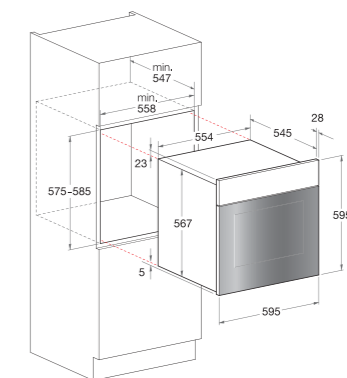


Diamond FD 61.1 (ICE) S
Cod. F080836
EAN 8007842808360



- MULTIFUNCTION 6**
- Knobs
 - Manual cleaning
 - Cooking Programs: Gratin, Grill, Multilevel, Pastries, Pizza, Traditional
 - 58 l capacity
 - 1 Tray, 2 Grids
 - **Energy Class: A**

Ice



Multifunction Ovens



NEWSTYLE FH 939 IX S
Cod. F080844
EAN 8007842808445



- MULTIFUNCTION 8**
- Knobs + Buttons
 - Manual cleaning
 - Cooking Programs: Fast Cooking, Gratin, Grill, Rising, Multilevel, Pastries, Pizza, Traditional
 - 62 l capacity
 - 1 Grid, 1 Tray, 1 Deep Tray
 - **Energy Class: A**
- Stainless Steel



NEWSTYLE FH 52 IX S
Cod. F080839
EAN 8007842808391



- MULTIFUNCTION 5**
- Knobs
 - Manual cleaning
 - Cooking Programs: Top Heat Only, Gratin, Grill, Multilevel, Traditional
 - 59 l capacity
 - 1 Grid, 1 Tray
 - **Energy Class: A**
- Stainless Steel

Also available:
Stainless Steel FH 52 IX AG S
Cod. F080840 - EAN 8007842808407
with Stainless Steel guides:
Stainless Steel FH 527 IX AUS S
Cod. F080841 - EAN 8007842808414
with Minute Minder:
Stainless Steel FH 51 IX CN S
Cod. F080837 - EAN 8007842808377



NEWSTYLE FH 83 IX AG S
Cod. F080842
EAN 8007842808421



- MULTIFUNCTION 8**
- Knobs + Buttons
 - Manual cleaning
 - Cooking Programs: Fast Cooking, Gratin, Grill, Rising, Multilevel, Pastries, Pizza, Traditional
 - 59 l capacity
 - 1 Grid, 1 Tray
 - **Energy Class: A**
- Stainless Steel

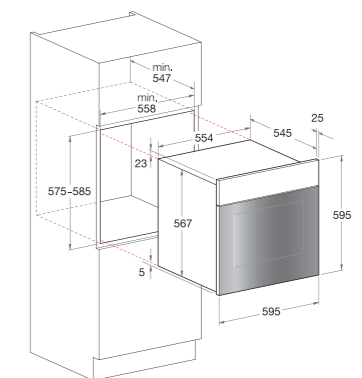
Also available with Catalytic cleaning:
Stainless Steel FH 837 C IX AUS S
Cod. F080843 - EAN 8007842808438



NEWSTYLE FH 531 IX S
Cod. F080878
EAN 8007842808780



- MULTIFUNCTION 5**
- Knobs + Buttons
 - Manual cleaning
 - Cooking Programs: Top Heat Only, Gratin, Grill, Multilevel, Traditional
 - 62 l capacity
 - 1 Tray, 2 Grids
 - **Energy Class: A**
- Stainless Steel



Multifunction Ovens



NEWSTYLE FHS 51 IX S

Cod. F080876
EAN 8007842808766



MULTIFUNCTION 5

- Knobs
- Manual cleaning
- Cooking Programs: Top Heat Only, Gratin, Grill, Multilevel, Traditional
- 59 l capacity
- 1 Grid, 1 Tray
- **Energy Class: A**

Stainless Steel



NEWSTYLE FH 21 IX S

Cod. F080849
EAN 8007842808490



STATIC

- Knobs
- Manual cleaning
- Cooking Programs: Bottom Heat Only, Top Heat Only, Grill, Traditional
- 65 l capacity
- 1 Grid, 1 Tray
- **Energy Class: A**

Stainless Steel



NEWSTYLE FHS 21 IX S

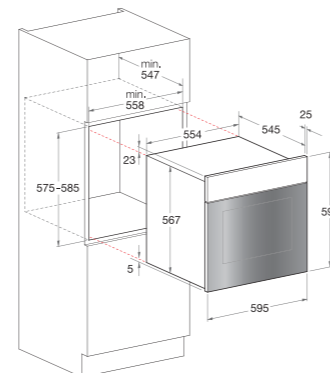
Cod. F080875
EAN 8007842808759



STATIC

- Knobs
- Manual cleaning
- Cooking Programs: Bottom Heat Only, Top Heat Only, Grill, Traditional
- 65 l capacity
- 1 Grid, 1 Tray
- **Energy Class: A**

Stainless Steel



Gas Ovens



LUCE FK G X S

Cod. F080856
EAN 8007842808568

GAS OVEN WITH ELECTRIC GRILL

- Knobs
- Manual cleaning
- Cooking Programs: Grill, Traditional
- 58 l capacity
- 1 Grid, 1 Tray, 1 Deep Tray

Stainless Steel



LUCE FKYG X

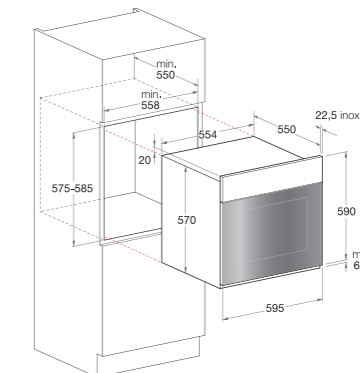
Cod. F081951
EAN 8007842819519



FAN ASSISTED GAS OVEN WITH ELECTRIC GRILL

- Knobs + Buttons
- Manual cleaning
- Cooking Programs: Grill, Traditional, Fan
- 47 l capacity
- 1 Grid, 1 Deep Tray
- **Energy Class: A**

Stainless Steel



Gas Ovens



NEWSTYLE FH G IX S

Cod. F080847
EAN 8007842808476

GAS OVEN WITH ELECTRIC GRILL

- Knobs
- Manual cleaning
- Cooking Programs: Grill, Traditional
- 58 l capacity
- 1 Grid, 1 Tray

Stainless Steel

Also available:

FH G (BK) S - Black
Cod. F080845 - EAN 8007842808452
FH G (WH) S - White
Cod. F080846 - EAN 8007842808469
FHSB G IX S - Stainless Steel
Cod. F080850 - EAN 8007842808506



NEWSTYLE FHY GG X

Cod. F083893
EAN 8007842838930

GAS OVEN WITH GAS GRILL

- Knobs + Buttons
- Manual cleaning
- Cooking Programs: Grill, Traditional
- 58 l capacity
- 1 Grid, 1 Deep Tray

Stainless Steel



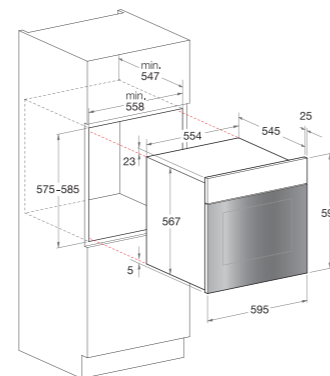
NEWSTYLE FHYS GX

Cod. F081950
EAN 8007842819502

GAS OVEN WITH ELECTRIC GRILL

- Knobs + Buttons
- Manual cleaning
- Cooking Programs: Grill, Traditional
- 47 l capacity
- 1 Grid, 1 Deep Tray

Stainless Steel



Maxi Ovens



NEWSTYLE MB 91.3 IX S

Cod. F080419
EAN 8007842804195

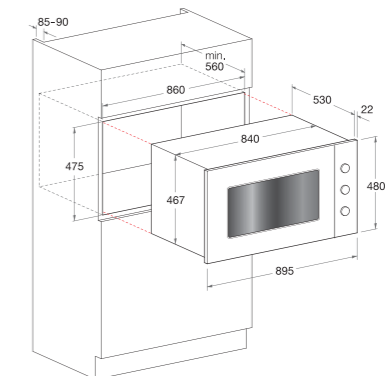
MULTIFUNCTION 8

- Knobs
- Manual cleaning
- Cooking Programs: Cakes, Fast Cooking, Gratin, Grill, Multilevel, Pizza, Defrosting, Traditional
- 78 l capacity
- 1 Tray, 2 Grids

Stainless Steel

Also available with electronic Start/End of cooking:

Stainless Steel MB 91 (IX) AUS S
Cod. F080418 - EAN 8007842804188



Maxi Ovens



LUCE MKG 23 (IX)

Cod. F084600
EAN 8007842846003

FAN GAS OVEN AND ELECTRIC GRILL

- Digital timer & Clock
- Manual cleaning
- Cooking Programs: Grill, Traditional, Fan
- 91 l capacity
- 1 Grid, 1 Tray

Stainless Steel



LUCE MKG 22 (IX)

Cod. F081855
EAN 8007842818550

GAS OVEN AND ELECTRIC GRILL

- Digital timer & Clock
- Manual cleaning
- Cooking Programs: Grill, Traditional
- 91 l capacity
- 1 Grid, 1 Tray

Stainless Steel



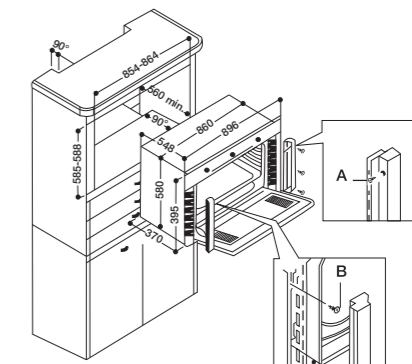
LUCE MKG 21 (IX)

Cod. F081852
EAN 8007842818529

GAS OVEN AND ELECTRIC GRILL

- Knobs
- Manual cleaning
- Cooking Programs: Grill, Traditional
- 91 l capacity
- 1 Grid, 1 Tray

Stainless Steel



Maxi Ovens



NEWSTYLE MHG 22 (IX)

Cod. F081853
EAN 8007842818536

GAS OVEN AND ELECTRIC GRILL

- Digital timer & Clock
- Manual cleaning
- Cooking Programs:
Grill, Traditional
- 91 l capacity
- 1 Grid, 1 Tray

Stainless Steel



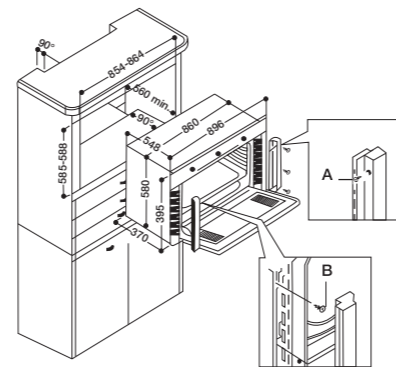
NEWSTYLE MHG 21 (IX)

Cod. F081854
EAN 8007842818543

GAS OVEN AND GAS GRILL

- Knobs
- Manual cleaning
- Cooking Programs:
Grill, Traditional
- 83 l capacity
- 1 Grid, 1 Tray

Stainless Steel



Double Oven



LUCE DK 892 CX AUS

Cod. F082277
EAN 8007842822779



DOUBLE OVEN

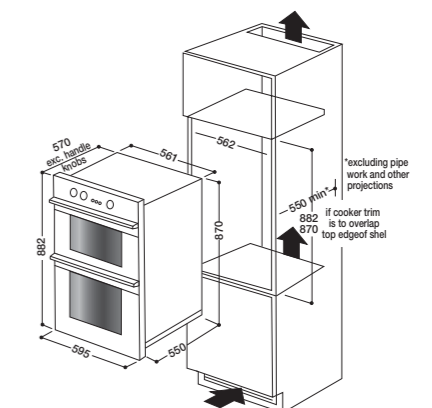
Main oven

- Multifunction 8
- Electronic Knobs + Touch Buttons
- Catalytic cleaning
- Cooking Programs:
Cakes, Fish, Rising, Multilevel, Bread,
Roast meat, Traditional, Variable Grilling
- 70 l capacity
- 1 Deep Tray, 2 Grids, Anti-Splash Tray

Second oven

- Static
- Catalytic cleaning
- Cooking Programs:
Grill, Traditional, Twin grill
- 39 l capacity
- 1 Grids, Kit Grill Pan
- **Energy Class: A**

Stainless Steel



COLLECTION 45 CM



LUCE MPKA 103 X S

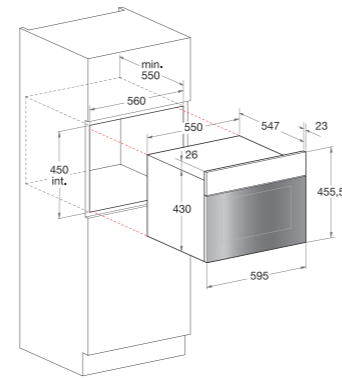
Cod. F080287
EAN 8007842802870



MULTIFUNCTION 12

- Touch Control
- Fast Clean Pyrolytic Cycles
- Cooking Programs: Barbecue, Tarts, Cakes, Fish, Gratin, Multilevel, Bread, Pastries, Pizza, Roast meat, Defrosting, Traditional
- 38 l capacity
- 1 Grid, 1 Tray
- **Energy Class: A**

Stainless Steel



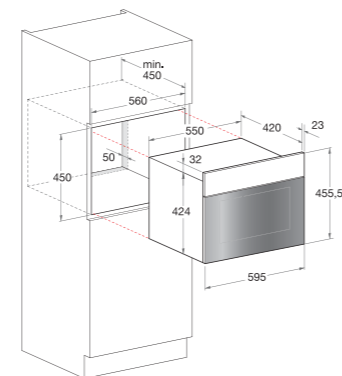
LUCE MSKA 103 X S

Cod. F080286
EAN 8007842802863

STEAM OVEN

- Touch Control
- Manual cleaning
- Cooking Programs: Defrosting, Steam
- 23 l capacity
- 1 Grid, 1 Tray, 1 Perforated pan

Stainless Steel



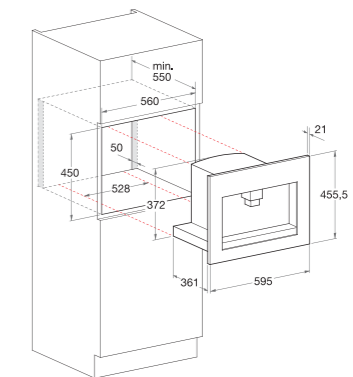
LUCE MCKA 103 X S

Cod. F080296
EAN 8007842802962

AUTOMATIC COFFEE MACHINE

- Touch Control
- Functions: Coffee, Hot Water, Steam
- Regulation of coffee level for each cup
- Regulation of coffee temperature
- Regulation of coffee aroma
- Low Water signal
- Remove coffee grounds signal
- Missing coffee beans signal
- Open drawer signal
- No waste coffee tank

Stainless Steel



LUCE MWKA 434 X S

Cod. F080289
EAN 8007842802894

MICROWAVE OVEN AND FAN OVEN

- 40 lt capacity
- Touch Control
- 10 Power Levels
- Cooking combination: Grill, Microwave, Microwave+Grill, Microwave+Fan, Fan
- Turntable
- 1 Grid, 1 Enamelled Tray
- Child safety
- Automatic cool-down

Stainless Steel



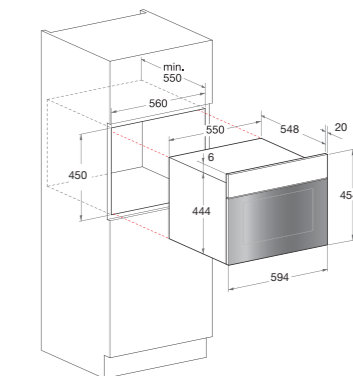
LUCE MWKA 434.1 X

Cod. F087584
EAN 8007842875843

MICROWAVE OVEN AND FAN OVEN

- 44 lt capacity
- Touch Control
- 5 Power Levels
- Cooking combination: Grill, Microwave, Microwave+Grill, Microwave+Fan, Fan
- Turntable
- 1 medium ground Grid
- Child safety
- Automatic cool-down

Stainless Steel





LUCE MWKA 222 X

Cod. F074393
EAN 8007842743937

MICROWAVE

- 24 lt capacity
- Knobs + Buttons
- 7 Power Levels
- Cooking combination: Grill, Microwave, Microwave+Grill
- Door Opening Side
- Turntable
- Medium Round Grid
- Child safety
- Automatic cool-down

Stainless Steel



LUCE MWKA 222.1 Q

Cod. F087583
EAN 8007842875836

MICROWAVE COMBI GRILL

- 25 lt capacity
- Touch Control
- 5 Power Levels
- Cooking combination: Grill, Microwave, Microwave+Grill
- Door Opening Side
- Turntable
- Medium Round Grid
- Automatic cool-down

Mirror

Also available only Microwave:
Mirror MWKA 221.1 Q
Cod. F087582 - EAN 8007842875829



NEWSTYLE MWA 222.1 X

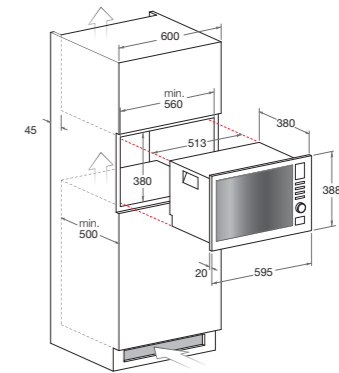
Cod. F087172
EAN 8007842871722

MICROWAVE COMBI FAN

- 25 lt capacity
- Knobs + Buttons
- 5 Power Levels
- Cooking combination: Grill, Microwave, Microwave+Grill
- Door Opening Side
- Turntable
- Medium Round Grid
- Child safety
- Automatic cool-down

Stainless Steel

Also available in 60 Hz:
Inox MWA 222.1 X 60 Hz
Cod. F087758 - EAN 8007842877588



LUCE MWKA 222.1 X

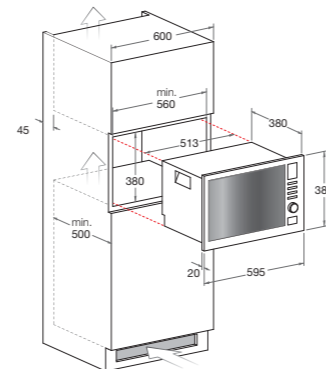
Cod. F087581
EAN 8007842875812

MICROWAVE COMBI FAN

- 25 lt capacity
- Knobs + Buttons
- 5 Power Levels
- Cooking combination: Grill, Microwave, Microwave+Grill
- Door Opening Side
- Turntable
- Medium Round Grid
- Child safety
- Automatic cool-down

Stainless Steel

Also available only Microwave:
Stainless Steel MWKA 221.1 X
Cod. F087580 - EAN 8007842875805



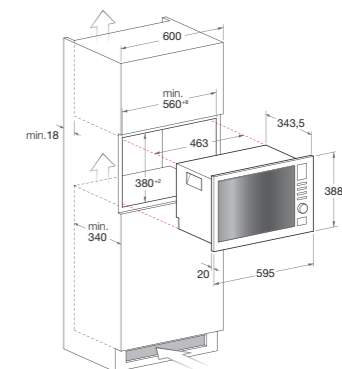
NEWSTYLE MWA 122.1 X

Cod. F079078
EAN 8007842790788

MICROWAVE

- 20 lt capacity
- Knobs + Buttons
- 5 Power Levels
- Cooking combination: Grill, Microwave, Microwave+Grill
- Door Opening Side
- Turntable
- Medium Round Grid
- Child safety
- Automatic cool-down

Stainless Steel



Description	OK 103E D P.20 X S	OK 999EL D P X AUS S	OK 89E D X 60 HZ S	OK 892EL P X AUS S	OK 897EL C X AUS S	OK 89E X S
Code	F080861	F080874	F080862	F080879	F080872	F080863
Aesthetic	Luce	Luce	Luce	Luce	Luce	Luce
Colour	Stainless Steel	Stainless Steel	Stainless Steel	Stainless Steel	Stainless Steel	Stainless Steel
Energy Class	A	A	A	A	A	A
Heating function to deter. efficiency class	Gratin = Fan Grill	Gratin = Fan Grill	74	Gratin = Fan Grill	Gratin = Fan Grill	Gratin = Fan Grill
Main cavity net capacity	(l) 74	77	74	77	77	74
Main Oven type	Multifunction 14	Multifunction 12	Multifunction 12	Multifunction 12	Multifunction 12	Multifunction 12
Main Oven Functions	Barbecue, Low Temperature, Cakes, Gratin, Beef, Multilevel, Bread, Fast Cooking, Fillet Fish, Pizza, Chicken, Eco	Barbecue, Low Temperature, Cakes, Eco, Fast Cooking, Gratin, Multilevel, Bread, Beef, Pizza	Barbecue, Low Temperature, Cakes, Eco, Fast Cooking, Gratin, Multilevel, Bread, Beef, Pizza	Barbecue, Low Temperature, Cakes, Eco, Fast Cooking, Gratin, Multilevel, Bread, Beef, Pizza	Barbecue, Low Temperature, Cakes, Eco, Fast Cooking, Gratin, Multilevel, Bread, Beef, Pizza	Barbecue, Low Temperature, Cakes, Eco, Fast Cooking, Gratin, Multilevel, Bread, Beef, Pizza
Type of controls	Touch Control	Electronic Knobs + Touch Buttons	Electronic Knobs + Touch Buttons	Electronic Knobs + Touch Buttons	Electronic Knobs + Touch Buttons	Electronic Knobs + Touch Buttons
Cooking Programming	Electronic Display	Electronic Display	Electronic Display	Electronic Display	Electronic Display	Electronic Display
Inner door	Glass	Glass	Glass	Glass	Glass	Glass
Number of oven door glasses	3	3	3	3	3	3
Cleaning	Pyrolytic	Pyrolytic	Manual	Pyrolytic	Catalytic Direct	Manual
Forced air	•	•	•	•	•	•
Grill	Electric	Electric	Electric	Electric	Electric	Electric
Turnspit		Economical				
Main cavity material	Grey Enamelled Steel	Grey Enamelled Steel	Grey Enamelled Steel	Grey Enamelled Steel	Grey Enamelled Steel	Grey Enamelled Steel
Oven guide Type	Embossed Guides	Pull-Out 2-Level Guides	Embossed Guides	Pull-Out 2-Level Guide	Stainless Steel Guides	Embossed Guides
Lighting type	Halogen	Halogen	Halogen	Halogen	Halogen	Normal
Light position	2 On Sides	Door Led	2 On Sides	Door Led	Door Led	1 On The Back
Lighting	Automatic When Opening Door	Automatic When Opening Door	Button	Button	Button	Button
Smoke chimney	With Electronic Control	Vented Behind Hob	Vented Behind Hob	Vented Behind Hob	Vented Behind Hob	Vented Behind Hob
Smoke purifier	•	•	•	•	•	•
Main oven accessories	1 Tray, 3 Grids, Divider	1 Tray, 3 Grids, Divider	1 Tray, 3 Grids, Divider	1 Tray, 3 Grids	1 Tray, 3 Grids	1 Tray, 3 Grids
Technical features						
Supply Voltage	(V) 220-240	220-240	220-240	220-240	220-240	220-240
Supply Frequency	(Hz) 50	50	60	50	50	50
Absorbed Power	(W) 3400	3400	2600	3400	2600	2600
Absorbed Current	(A) 14.8	14.8	11.30	14.8	14.8	11.30
Grill power	(Watt) 2600	2600	2600	2600	2600	2600
Gas power	(kW)					
Gas Type						
Cable Length	(m) 1.0	1.0	1.0	1.0	1.0	1.0
Dimensions						
HeightxWidthxDepth	(cm) 59x59.5x55	59x59.5x55	59x59.5x55	59x59.5x55	59x59.5x55	59x59.5x55
Built-in Hole HxWxD	(cm) 58.5x55.8x55	58.5x55.8x55	58.5x55.8x55	58.5x55.8x55	58.5x55.8x55	58.5x55.8x55
Code EAN	8007842808612	8007842808742	8007842808629	8007842808797	8007842808728	8007842808636

Ariston reserves the right to change technical specifications without notice.

Multifunction Ovens

Description	FK 1041LX S	FK 103E P X S	FK 1032E P X 60HZ S	FK 1032E X S	FK 103E X 60HZ S	FK 996E C X S	FK 898E P X AUS S	FK 89E X S
Code	F080860	F080868	F080869	F080857	F080858	F080867	F080870	F080855
Aesthetic	Luce	Luce	Luce	Luce	Luce	Luce	Luce	Luce
Colour	Stainless Steel	Stainless Steel	Stainless Steel	Stainless Steel	Stainless Steel	Stainless Steel	Stainless Steel	Stainless Steel
Energy Class	A	A	A	A	A	A	A	A
Heating function to deter. efficiency class	Eco	Eco	Eco	Eco	Eco	Eco	Eco	Eco
Main cavity net capacity (l)	62	59	62	62	59	59	62	59
Main Oven type	Multifunction 31	Multifunction 14	Multifunction 14	Multifunction 14	Multifunction 14	Multifunction 12	Multifunction 12	Multifunction 12
Main Oven Functions	Lamb, Barbecue, Low Temperature Meat, Low Temperature Fish, Low Temperature Vegetables, Brioche, Tarts, Cakes, Eco, Fish, Gratin, Rising, Pork, Beef, Multilevel, Paella, Bread, Pastries, Pasteurization, Fish In Papillote, Fillet Fish, Pizza, Pizzeria, Plum Cake, Chicken, Rice Pilaf, Rotisserie, Defrosting, Veal, Yogurt	Barbecue, Low Temperature, Tarts, Cakes, Gratin, Beef, Multilevel, Bread, Pastries, Fillet Fish, Pizza, Eco	Barbecue, Low Temperature, Tarts, Cakes, Gratin, Beef, Multilevel, Bread, Pastries, Fillet Fish, Pizza, Eco	Barbecue, Low Temperature, Tarts, Cakes, Gratin, Beef, Multilevel, Bread, Pastries, Fillet Fish, Pizza, Eco	Barbecue, Low Temperature, Tarts, Cakes, Gratin, Beef, Multilevel, Bread, Pastries, Fillet Fish, Pizza, Eco	Barbecue, Low Temperature, Cakes, Eco, Fast Cooking, Gratin, Multilevel, Bread, Pastries, Pizza	Barbecue, Low Temperature, Cakes, Eco, Fast Cooking, Gratin, Multilevel, Bread, Pastries, Pizza	Barbecue, Low Temperature, Cakes, Eco, Fast Cooking, Gratin, Multilevel, Bread, Pastries, Pizza
Type of controls	Single knob+Touch Buttons	Touch Control	Touch Control	Touch Control	Touch Control	Electronic Knobs+Touch Buttons	Electronic Knobs+Touch Buttons	Electronic Knobs+Touch Buttons
Cooking Programming	Display LCD	Electronic Display	Electronic Display	Electronic Display	Electronic Display	Electronic Display	Electronic Display	Electronic Display
Inner door	Glass	Glass	Glass	Glass	Glass	Glass	Glass	Glass
Number of oven door glasses	3	3	3	2	2	3	3	2
Cleaning	Manual	Pyrolytic	Pyrolytic	Manual	Manual	Catalytic Direct	Pyrolytic	Manual
Forced air	•	•	•	•	•	•	•	•
Grill	Electric	Electric	Electric	Electric	Electric	Electric	Electric	Electric
Turnspit	•	•	•	•	•	•	•	•
Main cavity material	Enamelled Steel	Grey Enamelled Steel	Grey Enamelled Steel	Enamelled Steel	Enamelled Steel	Enamelled Steel	Grey Enamelled Steel	Enamelled Steel
Oven guide Type	Pull-Out 1-Level Guides	Embossed Guides	Pull-Out 2-Level Guides	Pull-Out 2-Level Guides	Embossed Guides	Embossed Guides	Pull-Out 1-Level Guides	Embossed Guides
Lighting type	Halogen	Normal	Halogen	Normal	Normal	Normal	Halogen	Normal
Light position	Door Led	1 On The Side Automatic When Opening Door	1 On The Side Automatic When Opening Door	1 On The Back	1 On The Back	1 On The Back	1 On The Side Automatic When Opening Door	1 On The Back
Lighting	Button	•	•	Button	Button	Button	•	Button
Smoke chimney	Vented Behind Hob	Vented Behind Hob	Vented Behind Hob	Vented Behind Hob	Vented Behind Hob	Vented Behind Hob	Vented Behind Hob	Vented Behind Hob
Smoke purifier	•	•	•	•	•	•	•	•
Main oven accessories	1 Deep Tray, 2 Grids	1 Tray, 2 Grids	1 Grid, 2 Trays	1 Grid, 1 Tray	1 Grid, 1 Tray	1 Deep Tray, 2 Grids	1 Tray, 1 Deep Tray, 2 Grids	1 Deep Tray, 2 Grids
Technical features								
Supply Voltage (V)	220-240	220-240	220-240	220-240	220-240	220-240	220-240	220-240
Supply Frequency (Hz)	50	50	60	50	60	50	50/60	50
Absorbed Power (W)	2800	2800	2800	2800	2800	2800	2800	2800
Absorbed Current (A)	12.1	12.1	12.1	12.1	12.1	12.1	12.1	12.1
Grill power (Watt)	2700	2700	2700	2700	2700	2700	2700	2700
Gas power (kW)								
Gas Type								
Cable Length (m)	1.0	1.0	1.0	1.0	1.0	1.0	1.0	1.0
Dimensions								
HeightxWidthxDepth (cm)	59x59.5x55	59x59.5x55	59x59.5x55	59x59.5x55	59x59.5x55	59x59.5x55	59x59.5x55	59x59.5x55
Built-in Hole HxWxD (cm)	58.5x55.8x55	58.5x55.8x55	58.5x55.8x55	58.5x55.8x55	58.5x55.8x55	58.5x55.8x55	58.5x55.8x55	58.5x55.8x55
Code EAN	8007842808605	8007842808681	8007842808698	8007842808575	8007842808582	8007842808674	8007842808704	8007842808551

Ariston reserves the right to change technical specifications without notice.

Multifunction Ovens

Description	FK 83 X S	FK 737 C X AUS S	FK 62 C X S	FK 62 X S	FK 617 X AUS S	FD 61.1 (ICE) S	FH 939 IX S	FH 837 C IX AUS S	FH 83 IX AG S
Code	F080853	F080871	F080851	F080852	F080866	F080836	F080844	F080843	F080842
Aesthetic	Luce	Luce	Luce	Luce	Luce	Diamond	Newstyle	Newstyle	Newstyle
Colour	Stainless Steel	Stainless Steel	Stainless Steel	Stainless Steel	Stainless Steel	Ice	Stainless Steel	Stainless Steel	Stainless Steel
Energy Class	A	A	A	A	A	A	A	A	A
Heating function to deter. efficiency class	Cakes	Fan	Fan	Fan	Fan	Cakes	Cakes	Cakes	Cakes
Main cavity net capacity	59	62	59	59	62	58	62	62	59
Main Oven type	Multifunction 8	Multifunction 6	Multifunction 6	Multifunction 6	Multifunction 6	Multifunction 6	Multifunction 8	Multifunction 8	Multifunction 8
Main Oven Functions	Fast Cooking, Gratin, Grill, Multilevel, Pastries, Pizza, Defrosting, Traditional	Gratin, Grill, Multilevel, Pastries, Pizza, Traditional	Gratin, Grill, Multilevel, Pastries, Pizza, Traditional	Gratin, Grill, Multilevel, Pastries, Pizza, Traditional	Gratin, Grill, Multilevel, Pastries, Pizza, Traditional	Gratin, Grill, Multilevel, Pastries, Pizza, Traditional	Fast Cooking, Gratin, Grill, Rising, Multilevel, Pastries, Pizza, Traditional	Fast Cooking, Gratin, Grill, Rising, Multilevel, Pastries, Pizza, Traditional	Fast Cooking, Gratin, Grill, Rising, Multilevel, Pastries, Pizza, Traditional
Type of controls	Knobs + Buttons	Knobs + Buttons	Knobs	Knobs	Knobs	Knobs	Knobs + Buttons	Knobs + Buttons	Knobs + Buttons
Cooking Programming	Digital Timer Easy to use	Digital Timer Easy to use	End Of Cooking Timer	End Of Cooking Timer	Minute Minder	Minute Minder	Digital Timer Easy to use	Digital Timer Easy to use	Digital Timer Easy to use
Inner door	Glass	Glass	Glass	Glass	Glass	Standard	Glass	Glass	Glass
Number of oven door glasses	2	2	2	2	2	3	3	3	3
Cleaning	Manual	Catalytic Direct	Catalytic Direct	Manual	Manual	Manual	Manual	Catalytic Direct	Manual
Forced air	•	•	•	•	•	•	•	•	•
Grill	Electric	Electric	Electric	Electric	Electric	Electric	Electric	Electric	Electric
Turnspit	•	Economical	•	•	•	•	Economical	•	•
Main cavity material	Enamelled Steel	Enamelled Steel	Enamelled Steel	Enamelled Steel	Enamelled Steel	Enamelled Steel	Enamelled Steel	Enamelled Steel	Enamelled Steel
Oven guide Type	Embossed Guides	Stainless Steel Guides	Embossed Guides	Embossed Guides	Stainless Steel Guides	Embossed Guides	Enamelled Steel Pull-Out 2-Level Guides	Stainless Steel Guides	Embossed Guides
Lighting type	Normal	Normal	Normal	Normal	Normal	Normal	Normal	Normal	Normal
Light position	1 On The Back	1 On The Back	1 On The Back	1 On The Back	1 On The Back	1 On The Back	1 On The Back	1 On The Back	1 On The Back
Lighting	On The Knob	On The Knob	On The Knob	On The Knob	On The Knob	On The Knob	On The Knob	On The Knob	On The Knob
Smoke chimney	Vented Behind Hob	Vented Behind Hob	Vented Behind Hob	Vented Behind Hob	Vented Behind Hob	Vented Behind Hob	Vented Behind Hob	Vented Behind Hob	Vented Behind Hob
Smoke purifier	•	•	•	•	•	•	•	•	•
Main oven accessories	1 Tray, 2 Grids	1 Tray, 2 Grids	1 Tray, 2 Grids	1 Tray, 2 Grids	1 Tray, 2 Grids	1 Tray, 2 Grids	1 Grid, 1 Tray, 1 Deep Tray	1 Tray, 2 Grids	1 Grid, 1 Tray
Technical features									
Supply Voltage (V)	220-240	220-240	220-240	220-240	220-240	220-240	220-240	220-240	220-240
Supply Frequency (Hz)	50/60	50/60	50/60	50/60	50/60	50/60	50/60	50/60	50/60
Absorbed Power (W)	2800	3000	2800	2800	3000	2800	2800	2800	2800
Absorbed Current (A)	12.1	12.5	12.1	12.1	12.5	12.1	12.1	12.1	12.1
Grill power (Watt)	2700	2850	2700	2700	2850	2700	2250	2250	2250
Gas power (kW)									
Gas Type									
Cable Length (m)	1.0	1.0	1.0	1.0	1.0	1.0	1.0	1.0	1.0
Dimensions									
HeightxWidthxDepth (cm)	59x59.5x55	59x59.5x55	59x59.5x55	59x59.5x55	59x59.5x55	59.5x59.5x54.5	59.5x59.5x54.5	59.5x59.5x54.5	59.5x59.5x54.5
Built-in Hole HxWxD (cm)	58.5x55.8x55	58.5x55.8x55	58.5x55.8x55	58.5x55.8x55	58.5x55.8x55	58.5x55.8x54.7	58.5x55.8x54.7	58.5x55.8x54.7	58.5x55.8x54.7
Code EAN	8007842808537	8007842808711	8007842808513	8007842808520	8007842808667	8007842808360	8007842808445	8007842808438	8007842808421

Ariston reserves the right to change technical specifications without notice.

Multifunction Ovens

Description	FH 531 IX S	FH 52 IX S	FH 52 IX AG S	FH 527 IX AUS S		FH 51 IX CN S	FHS 51 IX S	FH 21 IX S	FHS 21 IX S	MPKA 103 X S
Code	F080878	F080839	F080840	F080841		F080837	F080876	F080849	F080875	F080287
Aesthetic	Newstyle	Newstyle	Newstyle	Newstyle		Newstyle	Newstyle	Newstyle	Newstyle	Luce
Colour	Stainless Steel	Stainless Steel	Stainless Steel	Stainless Steel		Stainless Steel	Stainless Steel	Stainless Steel	Stainless Steel	Stainless Steel
Energy Class	A	A	A	A		A	A	A	A	A
Heating function to deter. efficiency class	Fan	Fan	Fan	Fan		Fan	Fan	Static	Static	
Main cavity net capacity (l)	62	59	59	62		59	59	65	65	38
Main Oven type	Multifunction 5	Multifunction 5	Multifunction 5	Multifunction 5		Multifunction 5	Multifunction 5	Static	Static	Multifunction 12
Main Oven Functions	Top Heat Only, Gratin, Grill, Multilevel, Traditional	Top Heat Only, Gratin, Grill, Multilevel, Traditional	Top Heat Only, Gratin, Grill, Multilevel, Traditional	Top Heat Only, Gratin, Grill, Multilevel, Traditional		Top Heat Only, Gratin, Grill, Multilevel, Traditional	Top Heat Only, Gratin, Grill, Multilevel, Traditional	Bottom Heat Only, Top Heat Only, Grill, Traditional	Bottom Heat Only, Top Heat Only, Grill, Traditional	Barbecue, Tarts, Cakes, Fish, Gratin, Multilevel, Bread, Pastries, Pizza, Roast meat, Defrosting, Traditional
Type of controls	Knobs + Buttons	Knobs	Knobs	Knobs		Knobs	Knobs	Knobs	Knobs	Touch Control
Cooking Programming	Digital Timer Easy to use	End Of Cooking Timer	End Of Cooking Timer	End Of Cooking Timer		Minute Minder	Minute Minder	Minute Minder	Minute Minder	Graphic Display
Inner door	Glass	Glass	Glass	Glass		Glass	Glass	Glass	Glass	Glass
Number of oven door glasses	2	2	2	2		2	2	2	2	3
Cleaning	Manual	Manual	Manual	Manual		Manual	Manual	Manual	Manual	Pyrolytic
Forced air	•	•	•	•		•	•	•	•	•
Grill	Electric	Electric	Electric	Electric		Electric	Electric	Electric	Electric	Electric
Turnspit	Economical	Economical	Economical	Economical		Economical	Economical	Economical	Economical	Economical
Main cavity material	Enamelled Steel	Enamelled Steel	Enamelled Steel	Enamelled Steel		Enamelled Steel	Enamelled Steel	Enamelled Steel	Enamelled Steel	Enamelled Steel
Oven guide Type	Stainless Steel Guides	Embossed Guides	Embossed Guides	Stainless Steel Guides		Embossed Guides	Embossed Guides	Embossed Guides	Embossed Guides	Stainless Steel Guides
Lighting type	Normal	Normal	Normal	Normal		Normal	Normal	Normal	Normal	Halogen
Light position	1 On The Back	1 On The Back	1 On The Back	1 On The Back		1 On The Back	1 On The Back	1 On The Back	1 On The Back	1 On The Side
Lighting	On The Knob	On The Knob	On The Knob	On The Knob		On The Knob	On The Knob	On The Knob	On The Knob	Automatic When Opening Door
Smoke chimney	Vented Behind Hob	Vented Behind Hob	Vented Behind Hob	Vented Behind Hob		Vented Behind Hob	Vented Behind Hob	Vented Behind Hob	Vented Behind Hob	Vented Behind Hob
Smoke purifier	•	•	•	•		•	•	•	•	•
Main oven accessories	1 Tray, 2 Grids	1 Grid, 1 Tray	1 Grid, 1 Tray	1 Tray, 2 Grids		1 Grid, 1 Tray	1 Grid, 1 Tray	1 Grid, 1 Tray	1 Grid, 1 Tray	1 Grid, 1 Tray
Technical features										
Supply Voltage (V)	220-240	220-240	220-240	220-240		220-240	220-240	220-240	220-240	220-240
Supply Frequency (Hz)	50/60	50/60	50/60	50/60		50/60	50/60	50/60	50/60	50
Absorbed Power (W)	2250	2250	2250	2250		2250	2250	2250	2250	3400
Absorbed Current (A)	9.78	9.78	9.78	9.78		9.78	9.78	9.7	9.78	16
Grill power (Watt)	2250	2250	2250	2250		2250	2250	2250	2250	1750
Gas power (kW)										
Gas Type										
Cable Length (m)	1.0	1.0	1.0			1.0	1.0	1.0	1.0	1.25
Dimensions										
HeightxWidthxDepth (cm)	59.5x59.5x54.5	59.5x59.5x54.5	59.5x59.5x54.5	59.5x59.5x54.5		59.5x59.5x54.5	59.5x59.5x54.5	59.5x59.5x54.5	59.5x59.5x54.5	45.5x59.5x54.7
Built-in Hole HxWxD (cm)	58.5x55.8x54.7	58.5x55.8x54.7	58.5x55.8x54.7	58.5x55.8x54.7		58.5x55.8x54.7	58.5x55.8x54.7	58.5x55.8x54.7	58.5x55.8x54.7	45x56x55
Code EAN	8007842808780	8007842808391	8007842808407	8007842808414		8007842808377	8007842808766	8007842808490	8007842808759	8007842802870

Ariston reserves the right to change technical specifications without notice.

Gas Ovens

Description	FK G X S	FKYG X	FH G IX S	FH G (BK) S		FH G (WH) S	FHSB G IX S	FHY GG X	FHYS GX
Code	F080856	F081951	F080847	F080845		F080846	F080850	F083893	F081950
Aesthetic	Luce	Luce	Newstyle	Newstyle		Newstyle	Newstyle	Newstyle	Newstyle
Colour	Stainless Steel	Stainless Steel	Stainless Steel	Black		White	Stainless Steel	Stainless Steel	Stainless Steel
Energy Class									
Heating function to deter. efficiency class									
Main cavity net capacity	(l) 58	47	58	58		58	58	58	47
Main Oven type	Electrical Gas Grill	Electrical Gas Grill	Electrical Gas Grill	Electrical Gas Grill		Electrical Gas Grill	Electrical Gas Grill	Gas Grill Gas	Electrical Gas Grill
Main Oven Functions	Grill, Traditional	Grill, Traditional, Fan	Grill, Traditional	Grill, Traditional		Grill, Traditional	Grill, Traditional	Grill, Traditional	Grill, Traditional
Type of controls	Knobs	Knobs + Buttons	Knobs	Knobs		Knobs	Knobs	Knobs	Knobs + Buttons
Cooking Programming	Minute Minder	Digital Timer Easy to use	Minute Minder	Minute Minder		Minute Minder	Minute Minder	Digital Timer Easy to use	Digital Timer Easy to use
Inner door	Standard	Standard	Standard	Standard		Standard	Standard	Standard	Standard
Number of oven door glasses	2	2	2	2		2	2	2	2
Cleaning	Manual	Manual	Manual	Manual		Manual	Manual	Manual	Manual
Forced air	•	•	•	•		•	•	•	•
Grill	Electric	Electric	Electric	Electric		Electric	Electric	Gas	Electric
Turnspit	Economical	Economical	Economical	Economical		Economical	Economical	Economical	Economical
Main cavity material	Enamelled Steel	Enamelled Steel	Enamelled Steel	Enamelled Steel		Enamelled Steel	Enamelled Steel	Enamelled Steel	Enamelled Steel
Oven guide Type	Embossed Guides	Pull-Out 2-Level Guides	Embossed Guides	Embossed Guides		Embossed Guides	Embossed Guides	Stainless Steel Guides	Stainless Steel Guides
Lighting type	Normal	Normal	Normal	Normal		Normal	Normal	Normal	Normal
Light position	1 On The Back	1 On The Back	1 On The Back	1 On The Back		1 On The Back	1 On The Back	1 On The Back	1 On The Back
Lighting	Button	On The Knob	Button	Button		Button	Button	Button	On The Knob
Smoke chimney	Vented Behind Hob	Vented Behind Hob	Vented Behind Hob	Vented Behind Hob		Vented Behind Hob	Vented Behind Hob	Vented Behind Hob	Vented Behind Hob
Smoke purifier									
Main oven accessories	1 Grid, 1 Tray, 1 Deep Tray	1 Grid, 1 Deep Tray	1 Grid, 1 Tray	1 Grid, 1 Tray		1 Grid, 1 Tray	1 Grid, 1 Tray	1 Grid, 1 Deep Tray	1 Grid, 1 Deep Tray
Technical features									
Supply Voltage	(V) 220-240	220-240	220-240	220-240		220-240	220-240	220-240	220-240
Supply Frequency	(Hz) 50/60	50/60	50/60	50/60		50/60	50/60	50/60	50/60
Absorbed Power	(W) 2250	2300	2250	2250		2250	2250	2250	2300
Absorbed Current	(A) 9.78	10	9.78	9.78		9.78	9.78	9.78	10
Grill power	(Watt) 2250	2300	2250	2250		2250	2250	2250	2300
Gas power	(kW) 2.6	2.6	2.6	2.6		2.6	2.6	2.6	2.6
Gas Type	Methane (Gpl)	Methane (Gpl)	Methane (Gpl)	Methane (Gpl)		Methane (Gpl)	Methane (Gpl)	Methane (Gpl)	Methane (Gpl)
Cable Length	(m) 1.0	1.0	1.0	1.0		1.0	1.0	1.0	1.0
Dimensions									
HeightxWidthxDepth	(cm) 59x59.5x55	59x59.5x55	59.5x59.5x54.5	59.5x59.5x54.5		59.5x59.5x54.5	59.5x59.5x54.5	59.5x59.5x54.5	59.5x59.5x54.5
Built-in Hole HxWxD	(cm) 58.5x55.8x55	58.5x55.8x55	58.5x55.8x54.7	58.5x55.8x54.7		58.5x55.8x54.7	58.5x55.8x54.7	58.5x55.8x54.7	58.5x55.8x54.7
Code EAN	8007842808568	8007842819519	8007842808476	8007842808452		8007842808469	8007842808506	8007842838930	8007842819502

Ariston reserves the right to change technical specifications without notice.

Maxi Ovens

Description	MB 91.3 IX S	MB 91 (IX) AUS S	MKG 23 (IX)	MKG 22 (IX)	MKG 21 (IX)	MHG 22 (IX)	MHG 21 (IX)
Code	F080419	F080418	F084600	F081855	F081852	F081853	F081854
Aesthetic	Newstyle	Newstyle	Luce	Luce	Luce	Newstyle	Newstyle
Colour	Stainless Steel	Stainless Steel	Stainless Steel	Stainless Steel	Stainless Steel	Stainless Steel	Stainless Steel
Energy Class	C						
Heating function to deter. efficiency class	Fan						
Main cavity net capacity	(l) 78	78	91	91	91	91	83
Main Oven type	Multifunction 8	Multifunction 8	Electrical Gas Grill	Electrical Gas Grill	Gas Grill Gas	Electrical Gas Grill	Electrical Gas Grill
Main Oven Functions	Cakes, Fast Cooking, Gratin, Grill, Multilevel, Pizza, Defrosting, Traditional	Cakes, Fast Cooking, Gratin, Grill, Multilevel, Pizza, Defrosting, Traditional	Grill, Traditional, Fan	Grill, Traditional	Grill, Traditional	Grill, Traditional	Grill, Traditional
Type of controls	Knobs	Knobs + Buttons	Knobs + Buttons	Knobs + Buttons	Knobs	Knobs + Buttons	Knobs
Cooking Programming	Minute Minder	Electronic Start/End Of Cooking	Electronic 3 Buttons	Electronic 3 Buttons	Minute Minder	Digital Timer Easy to use	Minute Minder
Inner door	Standard	Standard	Standard	Standard	Standard	Standard	Standard
Number of oven door glasses	3	3	2	2	2	2	2
Cleaning	Manual	Manual	Manual	Manual	Manual	Manual	Manual
Forced air	•	•	•	•	•	•	•
Grill	Electric	Electric	Electric	Electric	Gas	Electric	Electric
Turnspit	Transversal	Transversal	Transversal	Transversal	Transversal	Transversal	Transversal
Main cavity material	Enamelled Steel	Enamelled Steel	Enamelled Steel	Enamelled Steel	Enamelled Steel	Enamelled Steel	Enamelled Steel
Oven guide Type	Stainless Steel Guides	Stainless Steel Guides	Stainless Steel Guides	Stainless Steel Guides	Stainless Steel Guides	Stainless Steel Guides	Stainless Steel Guides
Lighting type	Normal	Normal	Normal	Normal	Normal	Normal	Normal
Light position	2 On Sides	2 On Sides	1 On The Back	1 On The Back	1 On The Back	1 On The Back	1 On The Back
Lighting	On The Knob	On The Knob	On The Knob	On The Knob	On The Knob	On The Knob	On The Knob
Smoke chimney	Vented Behind Hob	Vented Behind Hob	Vented Behind Hob	Vented Behind Hob	Vented Behind Hob	Vented Behind Hob	Vented Behind Hob
Smoke purifier							
Main oven accessories	1 Tray, 2 Grids	1 Tray, 2 Grids	1 Grid, 1 Tray	1 Grid, 1 Tray	1 Grid, 1 Tray	1 Grid, 1 Tray	1 Grid, 1 Tray
Technical features							
Supply Voltage (V)	230	230-240	230	230	230	230	230
Supply Frequency (Hz)	50	50	50/60	50/60	50/60	50/60	50/60
Absorbed Power (W)	2400	3100	2500	2500	2500	2500	2500
Absorbed Current (A)	10.4	13.4	10.8	10.8	10.8	10.8	10.8
Grill power (Watt)	2000	2000	2500	2500	2500	2500	2500
Gas power (kW)			4.0	4.0	4.0	4.0	4.0
Gas Type			Methane (Gpl)	Methane (Gpl)	Methane (Gpl)	Methane (Gpl)	Methane (Gpl)
Cable Length (m)	1.0	1.0	1.0	1.0	1.0	1.0	1.0
Dimensions							
HeightxWidthxDepth (cm)	48x89.5x53	48x89.5x53	59.5x89.5x57	59.5x89.5x57	59.5x89.5x57	59.5x89.5x57	59.5x89.5x57
Built-in Hole HxWxD (cm)	47.5x86x56	47.5x86x56	58.5x86.5x56	58.5x86.5x56	58.5x86.5x56	58.5x86.5x56	58.5x86.5x56
Code EAN	8007842804195	8007842804188	8007842846003	8007842818550	8007842818529	8007842818536	8007842818543

OVENS

Oven Typology	Aesthetic line	Cooking system	User interface	Accessories	Cleaning/Features	Energy class	Colours
F: independent	Z: Experience Inox	2: Conventional	0: nothing	1: +1 level telescopic guides	Nothing: manual	Nothing: A class	X: stainless steel
H: dependent	Q: Experience glass	3: ventilated	1: minute minder	2: +2 level telescopic guides	C: catalytic	.20: A-20%	AN: anthracite
D: double oven	C: Class	5: multi 5	2: minute minder end cooking	3: +3 level telescopic guides	P: pyrolytic		K: black
M: maxi oven	H: Newstyle	6: multi 6	3: New digital timer	4: pizza stone & paddle (Openspace only)	L: led on door		W: white
MS: microwave	D: Diamond	7: multi 7	4: clock	5: pizza stone & paddle + telescopic guides (Openspace only)	N: hide handle		I: ice
MP: Pyrolytic oven	HR: NewDecò	8: multi 8	5: analogic timer	6: + deep tray	S: soft closing		GR: graphite
MK: steam oven	T: Tradition	9: multi 9	9: electronic knobs (E0)	7: + chromed guides	J: push-push knobs		MR: mirror
O: Openspace oven	K: Luce	10: multi 10	9E: electronic knobs (E0new)	8: +1 level telescopic guides + deep tray	D: divider		CH: champagne
UT: Luce France special line	KQ: Luce glass	G: gas oven	103: New light touch	9: +2 level telescopic guides + deep tray			SL: silver
	48: Experience 48cm		103E: tocuh Exp 2010				PA: pietra antica
			104: monoknob				AV: avena
							RB: rosso borbogna
							OS: old stone
							OW: old white

Ariston reserves the right to change technical specifications without notice.

Double Oven

Description	DK 892 CX AUS
Code	F082277
Aesthetic	Luce
Colour	Stainless Steel
Energy Class	A
Heating function to deter. efficiency class	Fan
Main cavity net capacity	70
Main Oven type	Multifunction 8
Main Oven Functions	Cakes, Fish, Rising, Multilevel, Bread, Roast meat, Traditional, Variable Grilling
Type of controls	Electronic Knobs + Touch Buttons
Cooking Programming	Electronic display
Cool touch door (GIFAM)	
Inner door	Glass
Number of oven door glasses	3
Cleaning	Catalytic Direct
Forced air	•
Grill	
Turnspit	
Main cavity material	Enamelled Steel
Oven guide Type	Pull-Out 2-Level Guides
Lighting type	Normal
Light position	1 On The Back
Lighting	Automatic When Opening Door
Smoke chimney	Vented Behind Hob
Smoke purifier	
Main oven accessories	1 Deep Tray, 2 Grids, Anti-Splash Tray
Second oven	
Second oven position	Sky
Secondarie Oven type	Static
Secondary oven energy class	A
Heating function to deter. efficiency class	Statico
Secondary cavity net capacity	39
Opening Door Typology-Secondary oven	Drop Down
Second Oven Functions	Grill, Traditional, Twin Grill
Grill	Solarplus Twin Variable Grill
Grill Energy regulator	•
Cleaning	Catalytic With Panels
Lighting type	Normal
Light position	1 On The Back
Lighting	Automatic When Opening Door
No. of door glasses	3
Second cavity material	Enamelled Steel
Oven guide Type	Stainless Steel Guides
Second Oven Accessories	1 Grid, Kit Grill Pan
Technical features	
Supply Voltage	(V) 230-240
Supply Frequency	(Hz) 50
Absorbed Power	(W) 4500 - 4900
Absorbed Current	(A) 20.4
Grill power	(Watt) 2400
Cable Length	(m) 1.0
Dimensions	
HeightxWidthxDepth	(cm) 88.7x59.7x57.7
Built-in Hole HxWxD	(cm) 87.5x58x55
Code EAN	8007842822779

Steam Oven

Description	MSKA 103 X S
Code	F080286
Aesthetic	Luce
Colour	Stainless Steel
Energy Class	
Heating function to deter. efficiency class	
Main cavity net capacity	(l) 23
Main Oven type	Steam
Main Oven Functions	Defrosting, Steam
Type of controls	Touch Control
Cooking Programming	Total Electronic Control
Inner door	Standard
Number of oven door glasses	2
Cleaning	Manual
Forced air	•
Grill	
Turnspit	
Main cavity material	Stainless Steel
Oven guide Type	Stainless Steel Guides
Lighting type	Normal
Light position	1 On The Top
Lighting	Automatic When Opening Door
Smoke chimney	Vented Behind Hob
Smoke purifier	
Main oven accessories	1 Grid, 1 Tray, 1 Perforated pan
Technical features	
Supply Voltage	(V) 220-240
Supply Frequency	(Hz) 50
Absorbed Power	(W) 1000
Absorbed Current	(A) 12
Grill power	(Watt) 1000
Gas power	(kW) 1000
Gas Type	
Cable Length	(m) 1.25
Dimensions	
HeightxWidthxDepth	(cm) 45.8x59.5x54.5
Built-in Hole HxWxD	(cm) 45x56x55
Code EAN	8007842802863

Coffee machine

Description	MCKA 103 X S
Code	F080296
Aesthetic	Luce
Colour	Stainless Steel
Energy Class	
Interface	Touch Control
Display color	Amber
Kind of alert	Display
Cleaning system	Semi automatic
Low water signalation	•
Coffee bean finish signalation	•
Remove coffee ground signalation	•
Open drawer signalation	•
No waste coffee tank	•
No internal coffee group	•
Circuit refuel signalation	•
Program of the coffee preparation	Electronic
Grinding regulation	•
Double distribution	•
Distributor regulation	•
Regulation of the coffee level for each cup	•
Regulation of the coffee temperature	•
Regulation of the coffee aroma	•
Hot water distribution	Hot water, Steam
Electronic Control	•
Technical features	
Noise	(dBA) 45
Supply VoltageSupply Voltage	(V) 220-240
Supply Frequency	(Hz) 50/60
Absorbed Power	(W) 1350
Absorbed Current	(A) 6
Plug Type	
Cable Length	(m) 2
Coffee/steam heating power	(W) 1000
Coffee/steam heating operating	(V) 230
Coffee grinder power	(W) 150
Coffee grinder voltage	(V) 230
Pump power	(W) 48
Pump voltage	(V) 230
Coffed grinding for cup	(g) 8
Coffee beans container	(g) 300
Water tank	(l) 1.8
Dimensions	
HeightxWidthxDepth	(cm) 45.5x59.5x36.1
Built-in Hole HxWxD	(cm) 45x56x55
Code EAN	8007842802962

Ariston reserves the right to change technical specifications without notice.

Ariston reserves the right to change technical specifications without notice.

Microwave Ovens

Description	MWKA 434 X S	MWKA 434.1 X	MWKA 222 X	MWKA 222.1 X	MWKA 221.1 X	MWKA 222.1 Q	MWKA 221.1 Q	MWA 222.1 X	MWA 122.1 X	
Code	F080289	F087584	F074393	F087581	F087580	F087583	F087582	F087172	F079078	
Aesthetic Colour	Luce Stainless Steel	Luce Mirror	Luce Stainless Steel	Luce Stainless Steel	Luce Stainless Steel	Luce Mirror	Luce Mirror	Newstyle Stainless Steel	Newstyle Stainless Steel	
Cooking Types	Grill, Microwave, Microwave + Grill, Microwave + Fan, Fan	Grill, Microwave, Microwave+Grill, Microwave+Fan, Fan	Grill, Microwave, Microwave + Grill	Grill, Microwave, Microwave+Grill	Microwave	Grill, Microwave, Microwave+Grill	Microwave	Grill, Microwave, Microwave+Grill	Grill, Microwave, Microwave + Grill	
Cavity Capacity (litres)	40	44	24	25	25	25	25	25	20	
Automatic Cooking Type	Based On Weight	Based On Weight	Based On Weight						Sensor And Weight Control	
Control types	Touch Control	Touch Control	Knobs+Buttons	Knobs+Buttons	Knobs+Buttons	Touch Control	Touch Control	Knobs+Buttons	Knobs+Buttons	
No. Power Levels	10	5	7	5	5	5	5	5	5	
Power Levels (W)	125, 200, 300, 400, 500, 600, 700, 800, 900, 1000	100, 300, 450, 700, 900	150, 300, 450, 600, 750, 850, 900	90, 270, 450, 720, 900	90, 270, 450, 720, 900	90, 270, 450, 720, 900	90, 270, 450, 720, 900	90, 270, 450, 720, 900	80, 240, 400, 640, 800	
End of Cooking Signal	•	•	•	•	•	•	•	•	•	
Movable grill	•	•	•	•	•	•	•	•	•	
Grill On/Off Indicator	•	•	•	•	•	•	•	•	•	
Timer (min)	99	95	60	95	95	95	95	95	95	
Digital Clock	•	•	•	•	•	•	•	•	•	
Door Opening	Drop Down	Drop Down	Side	Side	Side	Side	Side	Side	Side	
Turntable	•	•	•	•	•	•	•	•	•	
Turntable Stop	•	•	•	•	•	•	•	•	•	
Turntable Diameter (mm)	360	360	30	315	315	315	315	315	245	
Cavity Material	Enamelled Sheet metal	Enamelled Sheetmetal	Stainless Steel	Stainless Steel	Stainless Steel	Stainless Steel	Stainless Steel	Stainless Steel	Painted Sheet metal	
Accessories	1 Grid, 1 Enamelled Tray	Medium Round Grid	Medium Round Grid	Medium Round Grid	Medium Round Grid	Medium Round Grid	Medium Round Grid	Medium Round Grid	Short Round Grid	
Child safety	•	•	•	•	•	•	•	•	•	
Automatic cool-down	•	•	•	•	•	•	•	•	•	
Technical features										
Supply Voltage (V)	220-240	230	220-240	230	230	230	230	230	230	
Supply Frequency (Hz)	50	50	50	50	50	50	50	50	50	
Absorbed Power (W)	3400	3350	2750	1450	1450	1450	1450	1450	1200	
Absorbed Current (A)	16	16	13	13	13	13	13	13	5.3	
Fuses	Mono 230 V - 16 A	Mono 230 V - 16 A								
Plug Type	Europe, Schuko	Schuko	Europe, Schuko	Schuko	Schuko	Schuko	Schuko	Schuko	Schuko	
Cable Length (m)	1.25	1.25	1.1	1.1	1.1	1.1	1.1	1.1	0.85	
Output power (W)	1000	900	900	900	900	900	900	900	800	
Ventilated oven power (W)	1600	1750		1000		1000		1000		
Dimensions										
HeightxWidthxDepth (cm)	45.5x59.4x54.8	45.5x59.4x54.8	37.1x59.5x44	38.8x59.5x40	38.8x59.5x40	38.8x59.5x40	38.8x59.5x40	38.8x59.5x40	38.8x59.5x34.35	
Built-in Hole HxWxD (cm)	45x56x55	45x56x55	36x56x55	38x56x50	38x56x50	38x56x50	38x56x50	38x56x50	38x56x34	
Code EAN	8007842802894	8007842875843	8007842743937	8007842875812	8007842875805	8007842875836	8007842875829	8007842871722	8007842790788	

OVENS AND COLLECTION 45 CM

Ariston reserves the right to change technical specifications without notice.

GAS HOBS



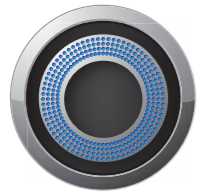
DIRECT FLAME

"I would like to cook my dishes more quickly and cook them so that they are perfectly and evenly cooked without burning on the sides of the saucepan or drying up in the centre."



Direct Flame.
Faster cooking and more uniform heat distribution
for the most homogeneous cooking results.

DIRECT FLAME. EVENLY DISTRIBUTED HEAT THAT MAKES ALL THE DIFFERENCE WITH COOKING TIMES AS WELL.



A revolutionary design for amazing cooking results: this is Direct Flame, a patent exclusive to Indesit Company. Consisting of a single elegant, ultra-flat component, the Direct Flame burner vertically irradiates the flame through its 420 micro-holes. Unlike a standard burner, with Direct Flame the heat is evenly distributed: no more food that is burnt on the edges, but food that is evenly cooked, much more quickly.

WITH DIRECT FLAME

EVENLY COOKED



TIME: 1 MIN.



WITH STANDARD BURNER

UNEVENLY COOKED



TIME: 2 MIN.



HOBBS

DIRECT FLAME. A VERTICAL FLAME FOR EVENLY COOKED FOOD.

Unlike traditional burners with a radial flame that concentrate the heat in only some parts, Direct Flame burners, with their 420 micro-holes that vertically irradiate the flame, spread the heat evenly over the surface of the pan and reduce time and energy consumption to a minimum.

CERTIFIED TESTS, REDUCED CONSUMPTION

On the energy consumption side, Direct Flame burners have passed laboratory tests with the highest results and obtained certification for the water boiling time: up to 20% quicker than a standard burner. An exceptional performance that can reduce gas consumption by up to 22%. For this reason, the Luce gas hobs with Direct Flame are Ecotech certified.

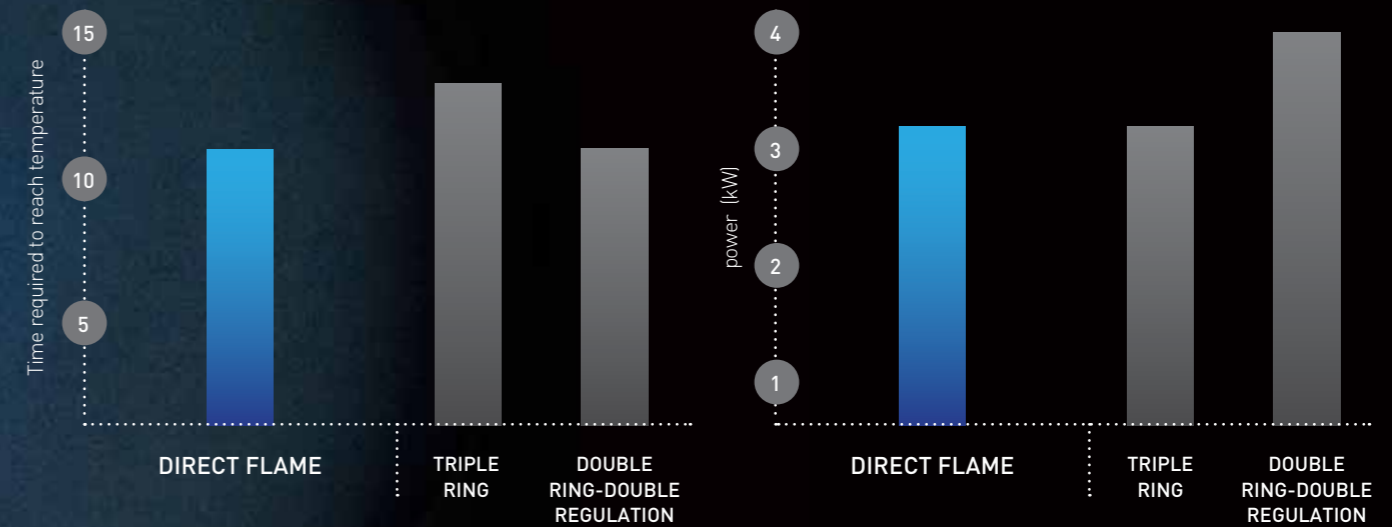
BOILING TEST 3.7 L OF WATER



With a standard burner, the water reaches boiling point in 13 minutes



With Direct Flame the water reaches boiling point in 10 minutes, 4 seconds.



Direct Flame Hobs

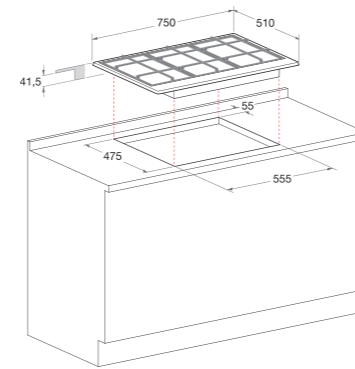


LUCE PK 755D GH X LPG
 Cod. F082121
 EAN 8007842821215



- 75 CM HOB**
- 5 gas burners Direct Flame
 - 3 cast iron grids
 - One-hand electronic ignition
 - Flame Failure Device

Stainless Steel with cast iron grids

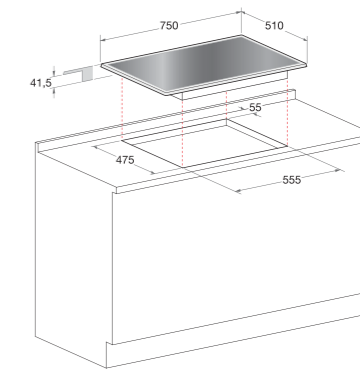


LUCE PKQ 755D GH (K) LPG
 Cod. F082120
 EAN 8007842821208



- 75 CM HOB**
- 5 gas burners Direct Flame
 - 3 cast iron grids
 - One-hand electronic ignition
 - Flame Failure Device

Black with cast iron grids

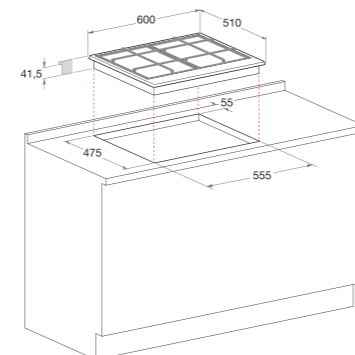


LUCE PK 644D GH X LPG
 Cod. F082122
 EAN 8007842821222



- 60 CM HOB**
- 4 gas burners Direct Flame
 - 4 cast foldable iron grids
 - One-hand electronic ignition
 - Flame Failure Device

Stainless Steel with cast iron grids



HOB

GAS HOBS. INNOVATIVE FUNCTIONALITY AND AESTHETICS.

In addition to the innovative hobs with Direct Flame technology, Ariston offers 90, 75 and 60 cm hobs and a new 65 cm hob: in the space taken up by a standard built-in hob, these hobs let you work on a larger surface area where an extra 4 centimetres between each burner makes it easier to cook several dishes at the same time.



HIGH PRECISION ADJUSTMENT

The ergonomic knobs with a safe grip and clear graphics can be used to precisely adjust the flame to 5 different levels of intensity. In this way, it is even easier to remember the cooking level needed for each dish.

LED SYSTEM, IMMEDIATE CONTROL

In versions with a glass front panel, the LEDs indicate the power level selected for the flame so that cooking control is immediate and simple and the hob looks even more modern and technological.



LIFT-UP GRIDS, SAFE AND EASY TO CLEAN

Made of cast iron or enamelled, with their support system, the hob grids can be lifted up and guarantee maximum functionality for quick and easy cleaning and maximum safety. With one easy movement, they rest on the wall without having to remove them from the hob.



SPECIAL BURNERS. MAXIMUM FREEDOM IN THE KITCHEN.

DOUBLE RING-DOUBLE REGULATION

This extremely versatile and powerful burner can be used to cook easily with different sized pots and pans by adjusting the flame independently on each crown (from 0.4 to 5 kW).



DOUBLE FACE

The most flexible burner in the world consisting of two oval-shaped burners that can be rotated and used in two different ways, separately or together, Double Face is the perfect burner for fish kettles or large rectangular trays as well as small pans.



TRIPLE RING

The Triple Crown burner, consisting of a single piece, is an Ariston innovation that guarantees even cooking that is up to 15% quicker than other rapid burners.



DOUBLE RING

With 3.5 kW of power and perfectly even heat distribution under the pan, the Double Ring burner cooks any dish more quickly.



IGNITION WITH ONE HAND

Switching on a Ariston hob is really quick and easy: just turn the knob with one hand.

GAS CONTROL

The Gas Control device on Ariston hobs blocks the gas supply if the flame accidentally goes out making them extremely safe.

Gas Hobs to 90 cm



NEWSTYLE PH 960MST GH

Cod. F070677
EAN 8007842706772



- 90 CM HOB**
- 6 gas burners of which 2 Double Face and 1 Triple Ring
 - 4 cast iron grids
 - One-hand electronic ignition
 - Flame Failure Device

Stainless Steel with cast iron grids

Also available:
PH 960 T GH AUS
Cod. F082305 - EAN 8007842823059
with enamelled grids:
PH 960MST (IX)
Cod. F070676 - EAN 8007842706765



NEWSTYLE PH 941MS (IX)

Cod. F070667
EAN 8007842706673

- 90 CM HOB**
- 4 gas burners
 - 1 electric plate
 - 3 enamelled wire grids
 - Two-hand electronic ignition
 - Flame Failure Device

Stainless Steel with enamelled grids



NEWSTYLE PH 941MSTV GH

Cod. F070675
EAN 8007842706758



- 90 CM HOB**
- 4 gas burners of which 1 Triple Ring;
 - Special cooking surface: dual oval ceramic glass plate
 - 3 cast iron grids
 - One-hand electronic ignition
 - Flame Failure Device

Stainless Steel with cast iron grids

Also available with enamelled grids:
PH 941MSTV (IX)
Cod. F070673 - EAN 8007842706734

PH 941MSTV (IX) AG
Cod. F068806 - EAN 8007842688061



NEWSTYLE PH 940MST (IX)

Cod. F070664
EAN 8007842706642



- 90 CM HOB**
- 4 gas burners of which 1 Triple Ring
 - 3 enamelled wire grids
 - One-hand electronic ignition
 - Flame Failure Device

Stainless Steel with enamelled grids



NEWSTYLE PH 941MSTB GH

Cod. F070670
EAN 8007842706703



- 90 CM HOB**
- 4 gas burners of which 1 Triple Ring;
 - Special cooking surface: electric steak plate
 - 3 cast iron grids
 - One-hand electronic ignition
 - Flame Failure Device

Stainless Steel with cast iron grids

Also available:
Stainless Steel with enamelled grids PH 941 MSTB (IX)
Cod. F070669 - EAN 8007842706697



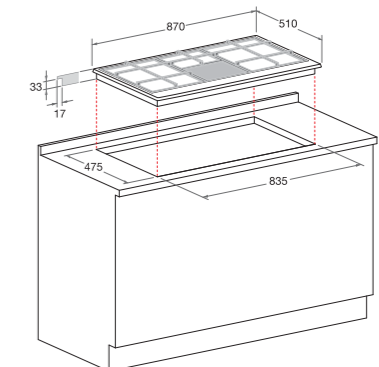
NEWSTYLE PC 930 T X

Cod. F081501
EAN 8007842815016



- 90 CM HOB**
- 3 gas burners flat of which 2 Triple Ring
 - 3 enamelled wire grids
 - One-hand electronic ignition
 - Flame Failure Device

Stainless Steel with enamelled grids



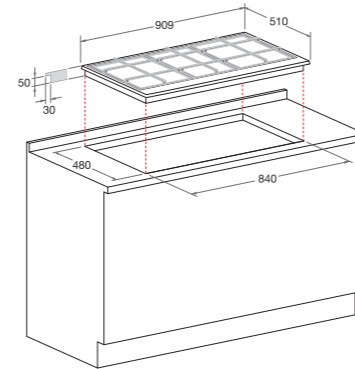


LUCE PK 951 T GH
Cod. F084323
EAN 8007842843231



- 90 CM HOB**
- 5 gas burners of which 1 Triple Ring
 - 3 cast iron foldable grids
 - One-hand electronic ignition
 - Flame Failure Device

Stainless Steel with cast iron grids



LUCE PK 750 RL GH AG
Cod. F078972
EAN 8007842789720



- 75 CM HOB**
- Led set control
 - 5 gas burners of which 1 Double Ring Double Regulation (0,4-5 kW)
 - 3 cast iron foldable grids
 - One-hand electronic ignition
 - Flame Failure Device

Stainless Steel with cast iron grids



LUCE PK 750 T GH
Cod. F078974
EAN 8007842789744



- 75 CM HOB**
- 5 gas burners of which 1 Triple Ring
 - 3 cast iron foldable grids
 - One-hand electronic ignition
 - Flame Failure Device

Stainless Steel with cast iron grids



LUCE PK 750 RT GH AUS
Cod. F078970
EAN 8007842789706



- 75 CM HOB**
- 5 gas burners of which 1 Double Ring Double Regulation (0,4-5 kW) and Triple Ring
 - 3 cast iron foldable grids
 - One-hand electronic ignition
 - Flame Failure Device

Stainless Steel with cast iron grids



LUCE PK 741 RQO GH
Cod. F078977
EAN 8007842789775



- 75 CM HOB**
- 3 gas burners of which 1 Double Ring Double Regulation
 - Special cooking surface: Oval ceramic glass plate
 - 2 cast iron foldable grids
 - One-hand electronic ignition
 - Flame Failure Device

Stainless Steel with cast iron grids



NEWSTYLE PC 760 F GH AG
Cod. F078982
EAN 8007842789829



- 75 CM HOB**
- 6 gas burners of which 2 Double Face
 - 3 cast iron grids
 - One-hand electronic ignition
 - Flame Failure Device

Stainless Steel with cast iron grids



NEWSTYLE PC 750 T GH
Cod. F080338
EAN 8007842803389

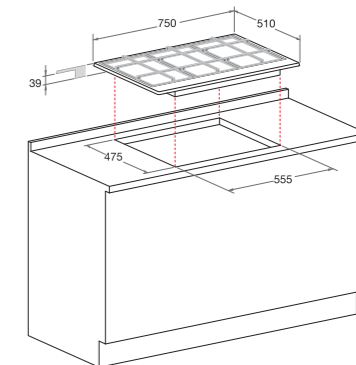


- 75 CM HOB**
- 4 gas burners of which 1 Triple Ring
 - 3 cast iron grids
 - One-hand electronic ignition
 - Flame Failure Device

Stainless Steel with cast iron grids

Also available:
PC 750 T GH AUS
Cod. F079781 - EAN 8007842797817

Stainless Steel with enamelled grids PC 750 T X
Cod. F078980 - EAN 8007842789805



Gas Hobs to 75 cm



NEWSTYLE PC 730 RT GH
Cod. F078983
EAN 8007842789836



- 75 CM HOB**
- 3 gas burners of which 1 Double Ring Double Regulation (0,4-5 kW) and 1 Triple Ring
 - 3 cast iron grids
 - One-hand electronic ignition
 - Flame Failure Device

Stainless Steel with cast iron grids

Also available:
Stainless Steel with enamelled grids PC 730 RT X
Cod. F078987 - EAN 8007842789874

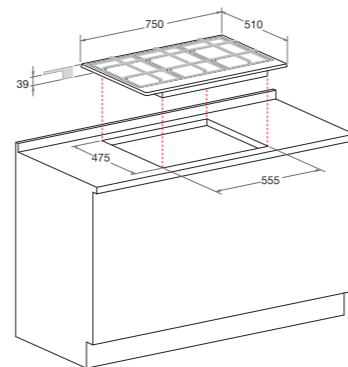


NEWSTYLE PC 720 RT X
Cod. F078986
EAN 8007842789867



- 75 CM HOB**
- 2 gas burners of which 1 Double Ring Double Regulation (0,4-5 kW) and 1 Triple Ring
 - 3 enamelled flat wire grids
 - One-hand electronic ignition
 - Flame Failure Device

Stainless Steel with enamelled grids



Gas Hobs to 65 cm



LUCÉ PK 640 R L GH AG
Cod. F078975
EAN 8007842789751



- 65 CM HOB**
- Led set control
 - 4 gas burners of which 1 Double Ring Double Regulation
 - 2 cast iron foldable grids
 - One-hand electronic ignition
 - Flame Failure Device

Stainless Steel with cast iron grids



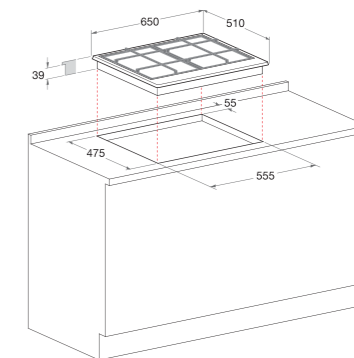
LUCÉ PK 640 R GH
Cod. F081723
EAN 8007842817232



- 65 CM HOB**
- 4 gas burners of which 1 Double Ring Double Regulation
 - 2 cast iron foldable grids
 - One-hand electronic ignition
 - Flame Failure Device

Stainless Steel with cast iron grids

Also available:
PK 640 R GH AUS
Cod. F079780 - EAN 8007842797800





NEWSTYLE
Cod. F080337
EAN 8007842803372



- 60 CM HOB**
- 4 gas burners of which 1 Triple Ring
 - 2 cast iron grids
 - One-hand electronic ignition
 - Flame Failure Device

Stainless Steel with cast iron grids

Also available without safety:
PC 640 NT GH
Cod. F079779 - EAN 8007842797794

without safety and with enamelled grids:
PC 640 NT X AUS
Cod. F078984 - EAN 8007842789843
PC 640 T X
Cod. F078979 - EAN 8007842789794
PC 640 T X AUS
Cod. F078978 - EAN 8007842789782



NEWSTYLE
Cod. F087375
EAN 8007842873757

- 60 CM HOB**
- 4 gas burners
 - 2 enamelled flat wire grids
 - One-hand electronic ignition
 - Flame Failure Device

Stainless Steel with enamelled grids

Also available without safety:
Stainless Steel with enamelled grids PC 640 N X
Cod. F087377 - EAN 8007842873771



NEWSTYLE
Cod. F078981
EAN 8007842789812



- 60 CM HOB**
- 4 gas burners of which 1 Triple Ring
 - 2 enamelled flat wire grids
 - One-hand electronic ignition
 - Flame Failure Device

White



NEWSTYLE
Cod. F087372
EAN 8007842873726

- 60 CM HOB**
- 4 gas burners
 - 2 enamelled flat wire grids
 - One-hand electronic ignition

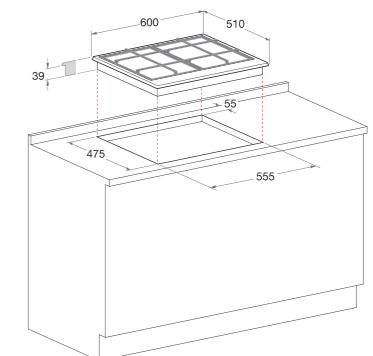
White



NEWSTYLE
Cod. F087374
EAN 8007842873740

- 60 CM HOB**
- 4 gas burners
 - 2 enamelled flat wire grids
 - One-hand electronic ignition

Black



Gas Hobs to 60 cm



NEWSTYLE
Cod. F087376
EAN 8007842873764

PC 631 X

60 CM HOB

- 3 gas burners
- 1 electric plate
- 1 enamelled flat wire grid
- One-hand electronic ignition
- Flame Failure Device

Stainless Steel with enamelled grids

Also available without safety:
Stainless Steel with enamelled grids PC 631 N X
Cod. F087373 - EAN 8007842873733



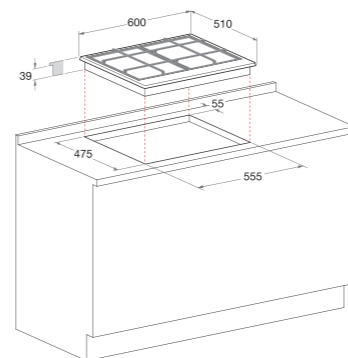
NEWSTYLE
Cod. F087847
EAN 8007842878479

PC 604 X

60 CM HOB

- 4 electric plates

Stainless Steel



Gas Hobs to 75-60 cm



LUCE
Cod. F078233
EAN 8007842782332

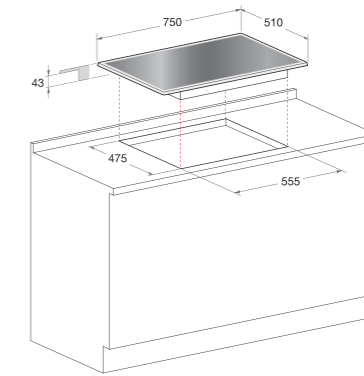


TQ 751 (ICE) K X

75 CM HOB

- 5 gas burners of which 1 Double Ring
- 3 enamelled flat wire
- One-hand electronic ignition
- Flame Failure Device

Iceberg grey



Diamond
Cod. F068959
EAN 8007842689594

TD 640 S (BK) IX

60 CM HOB

- 4 gas burners
- 4 enamelled flat wire grids
- One-hand electronic ignition
- Flame Failure Device

Black



Diamond
Cod. F051319
EAN 8007842513196

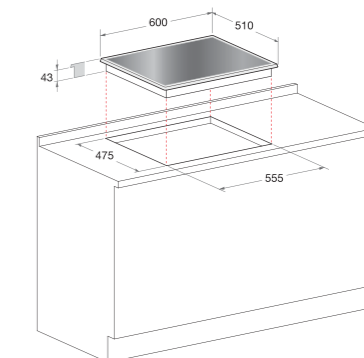
TD 640 (ICE) GH

60 CM HOB

- 4 gas burners
- 4 cast iron grids
- One-hand electronic ignition

Iceberg grey with cast iron grids

Also available:
Iceberg grey with enamelled grids TD 640 (ICE) IX
Cod. F051318 - EAN 8007842513189





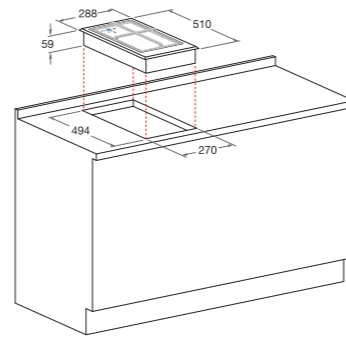
LUCE DK 20S (IX)
Cod. F078206
EAN 8007842782066

30 CM GAS HOB

- 2 gas burners
- 1 enamelled wire grid
- One-hand electronic ignition
- Flame Failure Device

Stainless Steel with enamelled grids

Also available:
Stainless Steel with cast iron grid DK 20 GH (AUS)
Cod. F078208 - EAN 8007842782080

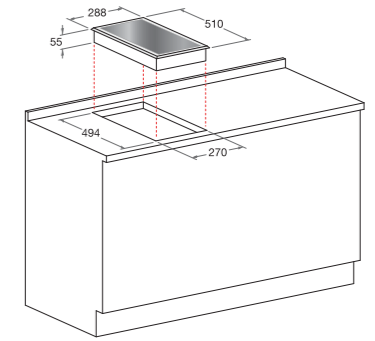


LUCE DK 2KL (IX)
Cod. F078210
EAN 8007842782103

30 CM CERAMIC GLASS HOB

- 2 radiant cooking surfaces
- 6 power heating levels
- Touch Control
- 2 residual heat indicators

Stainless Steel



LUCE DK 02S (IX)
Cod. F078202
EAN 8007842782028

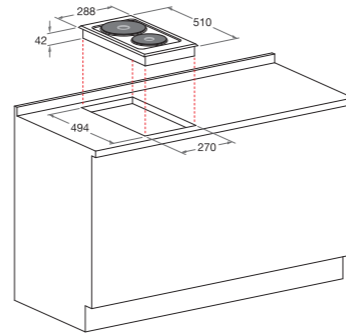
30 CM GAS HOB

- 2 rapid electric plates
- 6 power levels

Stainless Steel

Also available:
DK 02 (IX)
Cod. F078200 - EAN 8007842782004

DK 02 (IX) AG
Cod. F078209 - EAN 8007842782097

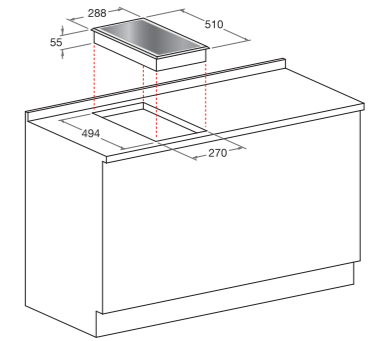


LUCE DK 2K (IX)
Cod. F078203
EAN 8007842782035

30 CM CERAMIC GLASS HOB

- 2 radiant cooking surfaces
- 6 power heating levels
- Knobs
- 2 residual heat indicators

Stainless Steel

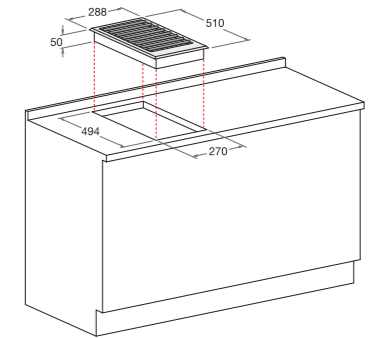


LUCE DK B (IX)
Cod. F078204
EAN 8007842782042

BARBECUE HOB

- Removable stainless steel tub with lava rock
- Enamelled grid

Stainless Steel

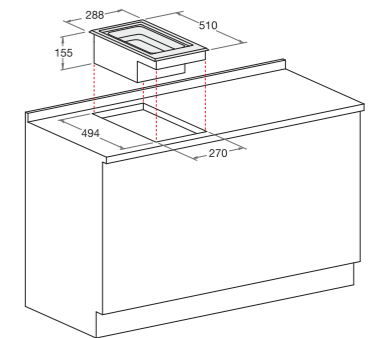


LUCE DK F (IX)
Cod. F078201
EAN 8007842782011

FRYER HOB

- Mesh basket in woven stainless steel
- Oil basin with cover in stainless steel
- On/off light and thermostat light

Stainless Steel



INDUCTION AND GLASS CERAMIC HOBS

FLEXI ZONE

"I would like to be able to cook using different sized pots and pans at the same time and know I can achieve the best results at all times."



Flexi Zone.
A flexible cooking area that keeps the heat constant
across the entire surface.



FLEXI ZONE. KEEPS HEAT CONSTANT FOR EVERY DISH



The innovative Ariston Flexi Zone is more technologically advanced than induction has ever been. It is a special area of the hob which is flexible, because it allows you to cook on the whole surface using large trays or two smaller pans and keeps the heat level constant across the entire area used. This is why Flexi Zone technology can guarantee the best cooking results both in terms of evenly cooked food and quicker cooking times.

CONSTANT HEAT



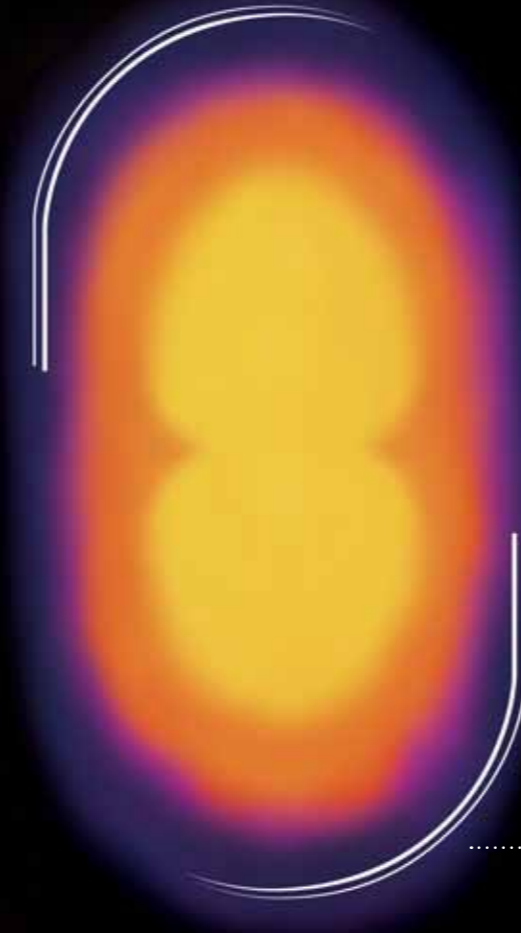
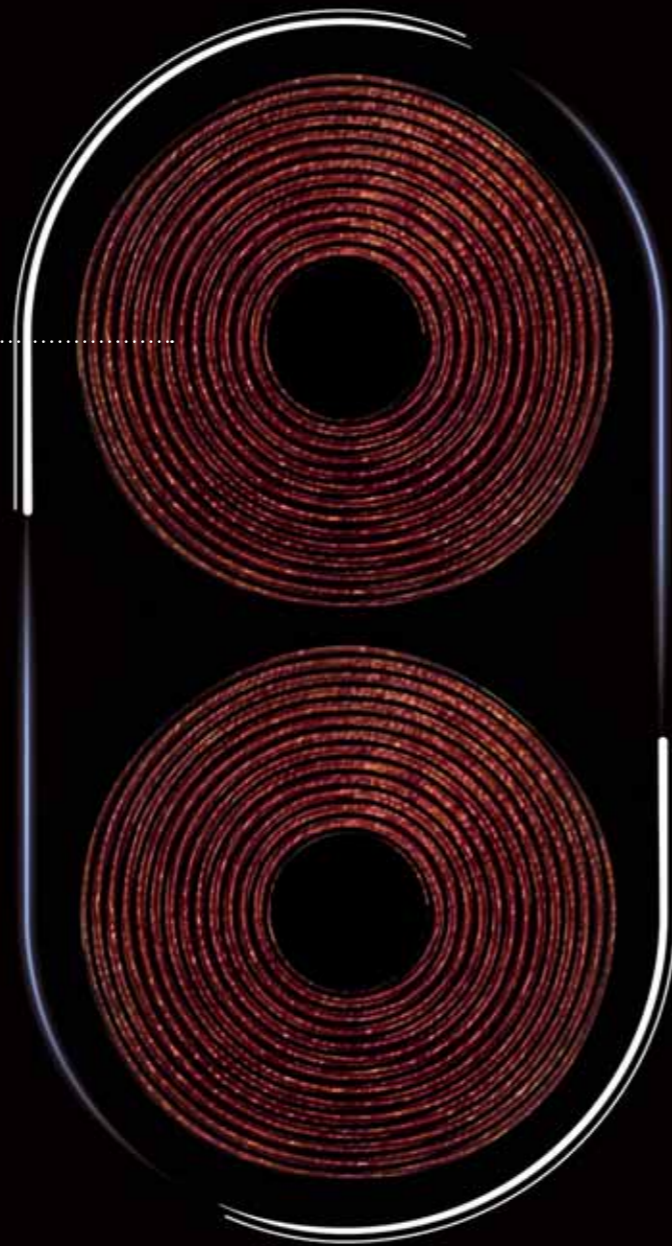
HOBBS

FLEXI ZONE. UNIFORM COOKING HAS NEVER BEEN SO INNOVATIVE AND PRECISE.

The innovative technology used in Ariston induction hobs offers a number of advantages: when the metal bottom of the pan comes into contact with the hob, a magnetic field is activated, that generates energy that is immediately transformed into an even heat source concentrated on the inside of the pan. This prevents heat dispersal and significantly reduces cooking times.

TWO INDUCTORS, DUAL OPERATING

There are two electronically connected inductors under the Flexi Zone cooking area that can operate together as a single maxi inductor or independently as two separate inductors. This dual operating is displayed in the control panel for the two areas where the button used to activate it is located.



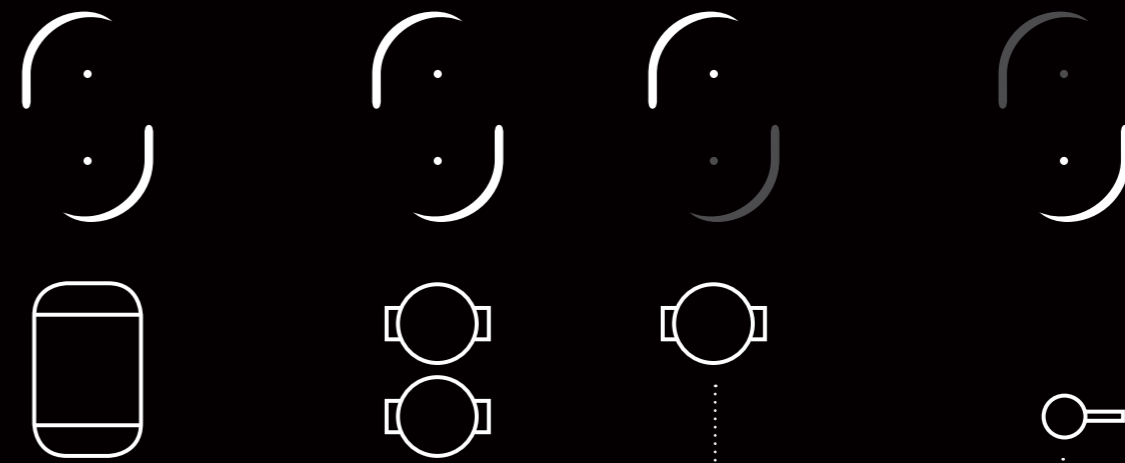
MINIMUM TEMPERATURE CHANGES FOR EVENLY COOKED FOOD

The Flexi Zone induction hob gives high definition cooking results due to the minimum temperature changes within its area that result in perfectly even cooking. Laboratory tests have shown that temperature changes between all the points on the surface are minimum.

DISTRIBUTION OF HEAT ON THE FLEXI ZONE COOKING AREA

MAXIMUM FLEXIBILITY: AUTOMATIC DETECTION AND INDEPENDENT CONTROL

Flexi Zone is only activated in the areas where it detects the exact size of the pot or pan. When the two separate areas of the Flexi Zone are used, these are independently controlled.



USE OF WHOLE SURFACE

with large pans, fish kettles and baking trays.

USE OF TWO SEPARATE AREAS

perfect for smaller pans.

INDUCTION HOBS. DESIGN AND PERFECTION.

Ariston induction hobs fully meet the need for a modern, technologically advanced kitchen without having to give up with ease of use. With their intuitive functions and cooking speed, cooking all types of food becomes much simpler with amazing results every time. The black, perfectly smooth surface not only highlights the beauty of the hob but also meets practical needs and guarantees maximum resistance and ease of use.

TOUCH CONTROL

With just one simple touch you can select the temperature and functions precisely and independently for each cooking zone. The front position of the controls makes using your Ariston hob even easier.

BOOSTER FUNCTION

Just use this function and in just a few moments the hob heat reaches maximum temperature for 4 minutes: this means quicker cooking which is just as tasty and precise.

TIMER

You can set automatically switch on and off all the zones by setting the timer up to 99 minutes.



SAFETY.

Ariston is committed to the safety of all its users and has introduced a series of devices that guarantee maximum safety whenever the hobs are used.

PAN DETECTION

The plate only comes on when it comes into contact with the pan while the rest of the surface remains cold.

SELECTIVE DETECTION

With the selective detection function, the hob only comes on when it comes into contact with pans suitable for induction hobs. If a spoon or something else accidentally comes into contact with the hob, the selective detection function does not switch it on for maximum safety. An acoustic signal sounds if there are anomalies.

TIME LIMIT

If the hob is mistakenly left on, a device will automatically switch it off.

SAFETY LOCK

To avoid accidentally changing set controls and prevent children from switching them on, all Ariston induction and glass-ceramic hobs are fitted with a safety lock.

RESIDUAL HEAT WARNING LIGHTS

Hotpoint-Ariston glass-ceramic hobs have special warning lights that indicate if a zone is still warm once the hob has been switched off. The warning lights switch off automatically when the temperature falls below 60°C.

BOIL OVER CUT-OUT

On glass-ceramic hobs, the boil over cut-out device automatically switches off the hob and emits an acoustic alarm when a liquid accidentally boils over from a pan and reaches the controls. If a metal object comes into contact with the hob, the hob is automatically switched off and an alarm sounds.



SAFE AND EASY CLEANING

Since they remain cool even when cooking, induction hobs can be easily and safely cleaned. With no risk of burning yourself, simply wipe with a damp cloth to remove any food residue even immediately.

IT'S GREEN

All Ariston glass-ceramic and induction hobs respect the environment and people's health: They are manufactured using special "It's Green" glass-ceramic in a process that does not use arsenic or antimony.

Ceramic Glass



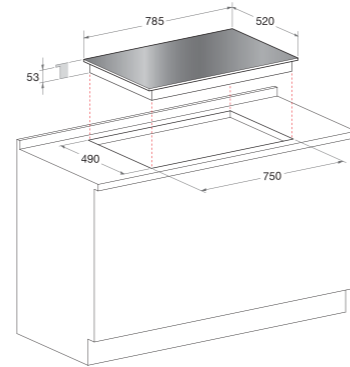
LUCE NIO 844 DO B AUS S

Cod. F080009
EAN 8007842800098



80 CM HOB

- 4 induction cooking surfaces
- 4 boosters special zones
- Touch Control
- 9 power heating levels
- Bevelled

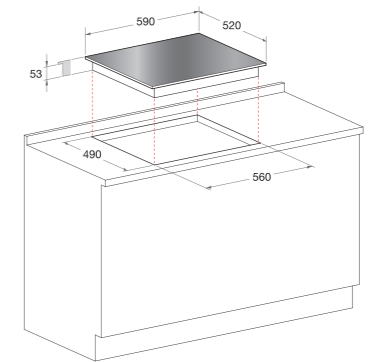


LUCE NIC 641 B

Cod. F079094
EAN 8007842790948

60 CM HOB

- 4 induction cooking surfaces
- 1 booster special zones
- Touch Control
- 9 power heating levels
- Bevelled



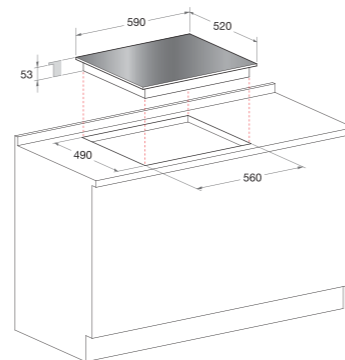
LUCE NIO 632 CP C AUS

Cod. F081721
EAN 8007842817218



60 CM HOB

- 3 induction cooking surfaces
- 3 boosters special zones
- Touch Control
- 9 power heating levels
- Standard profile

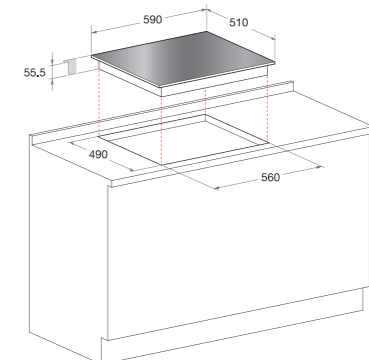


NEWSTYLE NIX 644 B E

Cod. F082479
EAN 8007842824797

60 CM HOB

- 4 induction cooking surfaces
- 4 booster special zones
- Touch Control
- 9 power heating levels
- Bevelled



HOB'S

Ceramic Glass



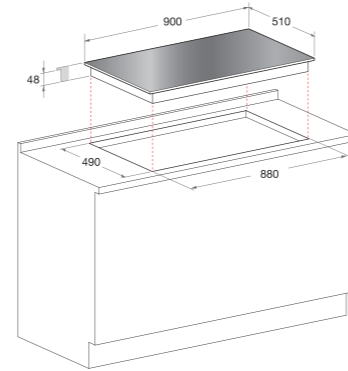
Cod. F084324
EAN 8007842843248

NRP 950 DO B



90 CM HOB

- 5 radiant Hilight cooking surfaces
- Double Ring Hilight and Oval Hilight
- Touch Control
- 9 power heating levels
- Residual heat indicator
- Bevelled



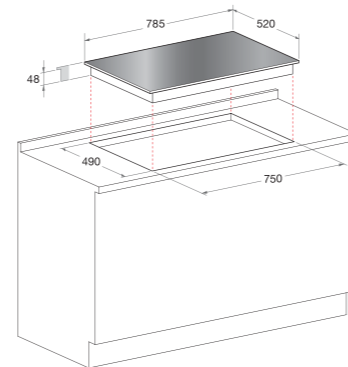
Cod. F079098
EAN 8007842790986

NRO 841 O X



80 CM HOB

- 4 radiant Hilight cooking surfaces
- Oval Hilight
- Touch Control
- 9 power heating levels
- Residual heat indicator
- Stainless steel frame



Cod. F079097
EAN 8007842790979

NRC 641 D B



60 CM HOB

- 4 radiant Hilight cooking surfaces
- Double Ring Hilight
- Touch Control
- 9 power heating levels
- Residual heat indicator
- Bevelled



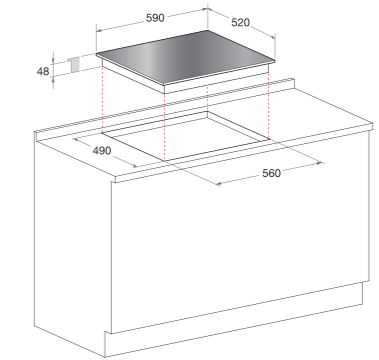
Cod. F083903
EAN 8007842839036

NRB 640 B

60 CM HOB

- 4 radiant Hilight cooking surfaces
- Touch Control
- 9 power heating levels
- Residual heat indicator
- Bevelled

Also available, with standard profile:
NRB 640 C AUS
Cod. F083901 - EAN 8007842839012

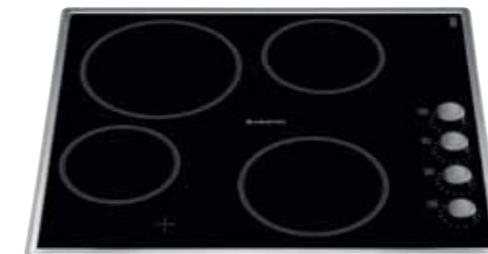


Cod. F083902
EAN 8007842839029

NRB 640 X

60 CM HOB

- 4 radiant Hilight cooking surfaces
- Touch Control
- 9 power heating levels
- Residual heat indicator
- Stainless steel frame

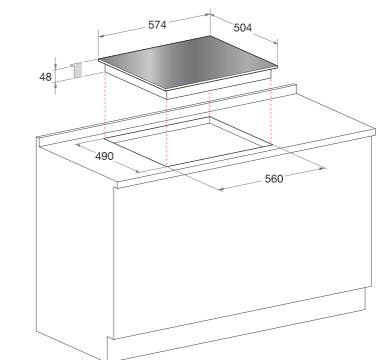


Cod. F079099
EAN 8007842790993

NRM 640 X

60 CM HOB

- 4 radiant Hilight cooking surfaces
- Knobs
- Residual heat indicator
- Stainless steel frame



Hobs 90 cm

Description	PH 960MST GH	PH 960 T GH AUS	PH 960MST (IX)	PH 941MSTV GH	PH 941MSTV (IX)	PH 941MSTV (IX) AG	PH 941MSTB GH	PH 941MSTB (IX)	PH 941MS (IX)	PH 940MST (IX)	PC 930 T X	PK 951 T GH
Aesthetic	Newstyle	Newstyle	Newstyle	Newstyle	Newstyle	Newstyle	Newstyle	Newstyle	Newstyle	Newstyle	Newstyle	Luce
Surface colour	Stainless Steel	Stainless Steel	Stainless Steel	Stainless Steel	Stainless Steel	Stainless Steel	Stainless Steel	Stainless Steel	Stainless Steel	Stainless Steel	Stainless Steel	Stainless Steel
Surface material	Stainless Steel	Stainless Steel	Stainless Steel	Stainless Steel	Stainless Steel	Stainless Steel	Stainless Steel	Stainless Steel	Stainless Steel	Stainless Steel	Stainless Steel	Stainless Steel
Surface Finishing	Standard	Standard	Standard	Standard	Standard	Standard	Standard	Standard	Standard	Standard	Standard	Standard
Control type	Knob	Knob	Knob	Knob	Knob	Knob	Knob	Knob	Knob	Knob	Knob	Knob
Location Of Control Panel	Front	Front	Front	Front	Front	Front	Front	Front	Front	Front	Front	Front
No. Pan Supports	4	4	4	3	3	3	3	3	3	3	3	3
Pan Support Type	Cast Iron	Cast Iron	Enamelled Flat Wire	Cast Iron	Enamelled Flat Wire	Enamelled Flat Wire	Cast Iron	Enamelled Flat Wire	Enamelled Wire	Enamelled Flat Wire	Enamelled Flat Wire	Cast Iron
Type Of Lid	Optional	Optional	Optional	Optional	Optional	Optional	Optional	Optional	Optional	Optional	Optional	Optional
Total No. Cooking areas	6	6	6	5	5	5	5	5	5	4	3	5
No. Gas Burners	6	6	6	4	4	4	4	4	4	4	3	5
No. electric Plates												
No. Radiant areas				1	1	1						
No. Induction areas												
No. dishwarmer areas												
Left Rear area-Type	Semi-Fast	Semi-Fast	Semi-Fast	Semi-Fast	Semi-Fast	Semi-Fast	Semi-Fast	Semi-Fast	Semi-Fast	Semi-Fast	Semi-Fast	Semi-Fast
Middle Rear area-Type											Semi-Fast	Triple Ring
Right Rear area-Type	Auxiliary	Auxiliary	Auxiliary	Auxiliary	Auxiliary	Auxiliary	Auxiliary	Auxiliary	Auxiliary	Auxiliary	Auxiliary	Fast
Left Rear area-Dimensions	75 mm	75 mm	75 mm	75 mm	75 mm	75 mm	75 mm	75 mm	75 mm	75 mm	75 mm	75 mm
Middle Rear area-Dimensions											75 mm	130 mm
Right Rear area-Dimensions	55 mm	55 mm	55 mm	55 mm	55 mm	55 mm	55 mm	55 mm	55 mm	55 mm	55 mm	100 mm
Left Rear area-Power (W)	1650	1650	1650	1650	1650	1650	1650	1650	1650	1650	1650	1750
Middle Rear area-Power (W)				1000	1000	1000	1000	1000	1000	1000	1650	4000
Right Rear area-Power (W)												3000
Left Middle area-Type	Double Face - Multifunction	Double Face - Multifunction	Double Face - Multifunction		Griddle Plate	Griddle Plate	Griddle Plate	Griddle Plate	Semi-Fast			
Middle Middle area-Type				Oval Radiant	Oval Radiant	Oval Radiant	Griddle Plate	Griddle Plate				
Right Middle area-Type	Double Face - Multifunction	Double Face - Multifunction	Double Face - Multifunction						Fast			
Left Middle area-Dimensions	92X62 mm	92X62 mm	92X62 mm						75 mm			
Middle Middle area-Dimensions							Special Zone	Special Zone				
Right Middle area-Dimensions	92X62 mm	92X62 mm	92X62 mm						100 mm			
Left Middle area-Power (W)	1500	1500	1500						1650			
Middle Middle area-Power (W)				1000+800	1000+800	1000+800	900	900				
Right Middle area-Power (W)	1500	1500	1500						3000			
Left Front area-Type	Triple Ring	Triple Ring	Triple Ring	Triple Ring	Triple Ring	Triple Ring	Triple Ring	Triple Ring	Standard Electric Plate	Triple Ring	Triple Ring	Semi-Fast
Middle Front area-Type												
Right Front area-Type	Fast	Fast	Fast	Fast	Fast	Fast	Fast	Fast		Fast	Triple Ring	Auxiliary
Left Front area-Dimensions	130 mm	130 mm	130 mm	130 mm	130 mm	130 mm	130 mm	130 mm		130 mm	130 mm	75 mm
Middle Front area-Dimensions									145 mm			
Right Front area-Dimensions	100 mm	100 mm	100 mm	100 mm	100 mm	100 mm	100 mm	100 mm	100 mm	100 mm	130 mm	55 mm
Left Front area-Power (W)	3250	3250	3250	3250	3250	3250	3250	3250	3250	3250	3250	1750
Middle Front area-Power (W)									1000			
Right Front area-Power (W)	2600	2600	2600	2600	2600	2600	2600	2600	2600	2600	3250	1000
Electronic ignition	1 Hand	1 Hand	1 Hand	1 Hand	1 Hand	1 Hand	1 Hand	1 Hand	2 Hands	1 Hand	1 Hand	
Flame Failure Device	•	•	•	•	•	•	•	•	•	•	•	•
Residual Heat Indicator				1 For Each Cooking Zone	1 For Each Cooking Zone	1 For Each Cooking Zone						
Plate On/Off Indicator				1 For Each Plate	1 For Each Plate	1 For Each Plate	1 For Each Plate	1 For Each Plate	1			
Technical features												
Supply Voltage (V)	220-230	220-240	220-230	220-230	220-230	220-230	220-230	220-230	220-230	220-230	220-230	220-240
Supply Frequency (Hz)	50/60	50/60	50/60	50/60	50/60	50/60	50/60	50/60	50/60	50/60	50/60	50/60
Absorbed Power (W)				1800	1800	1800	900	900	1000			
Absorbed Current (A)				7.8	7.8	7.8	3.9	3.9	4.5			
Gas Power (kW)	11.5	11.5	11.5	8.5	8.5	8.5	8.5	8.5	7.3	8.5	8.15	11.5
Fuses	Mono 230 V - 6 A	Mono 230 V - 6 A	Mono 230 V - 6 A	Mono 230 V - 10 A	Mono 230 V - 10 A	Mono 230 V - 10 A	Mono 230 V - 6 A	Mono 230 V - 6 A	Mono 230 V - 10 A	Mono 230 V - 10 A	Mono 230 V - 10 A	Mono 230 V - 6 A
Plug Type	Without Plug	Australian	Without Plug	Without Plug	Without Plug	Without Plug	Without Plug	Without Plug	Without Plug	Without Plug	Without Plug	Without Plug
Electric wire type	3 X 0.75 mm ²	3 X 1 mm ²	3 X 0.75 mm ²	3 X 0.75 mm ²	3 X 1 mm ²	3 X 1 mm ²	3 X 0.75 mm ²	3 X 0.75 mm ²	3 X 0.75 mm ²	3 X 0.75 mm ²	3 X 0.75 mm ²	3 X 1 mm ²
Cable Length (m)	1.0	1.0	1.0	1.0	1.0	1.0	1.0	1.0	1.0	1.0	1.0	1.0
Gas Type	Gpl (Methane City)	Methane (Gpl)	Gpl (Methane City)	Gpl (Methane City)	Gpl (Methane City)	Methane (Gpl)	Gpl (Methane City)	Gpl (Methane City)	Gpl (Methane City)	Gpl (Methane City)	Gpl (Methane City)	Gpl (Methane City)
Dimensions												
Height PF (cm)	3.3	3.3	3.3	3.3	3.3	3.3	3.3	3.3	3.3	3.3	3.3	5
Width PF (cm)	87	87	87	87	87	87	87	87	87	87	87	90.9
Depth PF (cm)	51	51	51	51	51	51	51	51	51	51	51	51
Built-in hole												
Height (cm)	3.3	3.3	3.3	3.3	3.3	3.3	3.3	3.3	3.3	3.3	3.3	5
Width (cm)	83.5	83.5	83.5	83.5	83.5	83.5	83.5	83.5	83.5	83.5	83.5	84
Depth (cm)	47.5	47.5	47.5	47.5	47.5	47.5	47.5	47.5	47.5	47.5	47.5	48
Colour - Code												
Colour	Stainless Steel with cast iron grids	Stainless Steel with cast iron grids	Stainless Steel	Stainless Steel with cast iron grids	Stainless Steel	Stainless Steel	Stainless Steel with cast iron grids	Stainless Steel	Stainless Steel	Stainless Steel	Stainless Steel	Stainless Steel with cast iron grids
Model	PH 960MST GH	PH 960 T GH AUS	PH 960MST (IX)	PH 941MSTV GH	PH 941MSTV (IX)	PH 941MSTV (IX) AG	PH 941MSTB GH	PH 941MSTB (IX)	PH 941MS (IX)	PH 940MST (IX)	PC 930 T X	PK 951 T GH
Code	F070677	F082305	F070676	F070675	F070673	F068806	F070670	F070669	F070667	F070664	F081501	F084323
Code EAN	8007842706772	8007842823059	8007842706765	8007842706758	8007842706734	8007842688061	8007842706703	8007842706697	8007842706673	8007842706642	8007842815016	8007842843231

Ariston reserves the right to change technical specifications without notice.

Hobs 75 cm

Description	PK 750 RL GH AG	PK 750 T GH	PK 750 RT GH AUS	PK 741 RQO GH	PC 760 F GH AG	PC 750 T GH	PC 750 T GH AUS	PC 750 T X	PC 730 RT GH	PC 730 RT X	PC 720 RT X
Aesthetic	Luce	Luce	Luce	Luce	Newstyle	Newstyle	Newstyle	Newstyle	Newstyle	Newstyle	Newstyle
Surface colour	Stainless Steel	Stainless Steel	Stainless Steel	Stainless Steel	Stainless Steel	Stainless Steel	Stainless Steel	Stainless Steel	Stainless Steel	Stainless Steel	Stainless Steel
Surface material	Inox and Glass	Stainless Steel	Stainless Steel	Stainless Steel	Stainless Steel	Stainless Steel	Stainless Steel	Stainless Steel	Stainless Steel	Stainless Steel	Stainless Steel
Surface Finishing	Standard	Standard	Standard	Standard	Standard	Standard	Standard	Standard	Standard	Standard	Standard
Control type	Knob	Knob	Knob	Knob	Knob	Knob	Knob	Knob	Knob	Knob	Knob
Location Of Control Panel	Front	Front	Front	Front	Front	Front	Front	Front	Front	Front	Front
No. Pan Supports	3	3	3	2	3	3	3	3	3	3	3
Pan Support Type	Cast Iron	Cast Iron	Cast Iron	Cast Iron	Cast Iron	Cast Iron	Cast Iron	Enamelled Flat Wire	Cast Iron	Enamelled Flat Wire	Enamelled Flat Wire
Type Of Lid	Optional	Optional	Optional	Optional	Optional	Optional	Optional	Optional	Optional	Optional	Optional
Total No. Cooking areas	5	5	4	4	6	5	5	5	3	3	2
No. Gas Burners	5	5	4	3	6	5	5	5	3	3	2
No. electric Plates											
No. Radiant areas				1							
No. Induction areas											
No. dishwarmer areas											
Left Rear area-Type	Fast	Fast			Fast	Fast	Fast	Fast			
Middle Rear area-Type			Semi-Fast		Semi-Fast	Semi-Fast	Semi-Fast	Semi-Fast	Semi-Fast	Semi-Fast	
Right Rear area-Type	Semi-Fast	Semi-Fast		Semi-Fast	Double Face - Multifunction	Semi-Fast	Semi-Fast	Semi-Fast			
Left Rear area-Dimensions	100 mm	100 mm			100 mm	100 mm	100 mm	100 mm			
Middle Rear area-Dimensions			75 mm		75 mm	75 mm	75 mm	75 mm	75 mm	75 mm	
Right Rear area-Dimensions	75 mm	75 mm		75 mm	92X62 mm	75 mm	75 mm	75 mm			
Left Rear area-Power (W)	2600	2600			2600	2600	2600	2600			
Middle Rear area-Power (W)			1650		1650	1650	1650	1650	1650	1650	
Right Rear area-Power (W)	1650	1650		1650	1500	1650	1650	1650			
Left Middle area-Type			Double Ring	Double Ring	Double Ring				Double Ring	Double Ring	Double Ring
Middle Middle area-Type	Double Ring	Triple Ring		Oval Highlight		Triple Ring	Triple Ring	Triple Ring			
Right Middle area-Type			Triple Ring						Triple Ring	Triple Ring	Triple Ring
Left Middle area-Dimensions			130 mm	130 mm					130 mm	130 mm	130 mm
Middle Middle area-Dimensions	130 mm	130 mm		145X250 mm		130 mm	130 mm	130 mm			
Right Middle area-Dimensions			130 mm						130 mm	130 mm	130 mm
Left Middle area-Power (W)			5000	5000					4100+900	4100+900	4100+900
Middle Middle area-Power (W)	4200	3600		1100/2000		3600	3600	3600			
Right Middle area-Power (W)			3600						3600	3600	3600
Left Front area-Type	Auxiliary	Auxiliary			Auxiliary	Auxiliary	Auxiliary	Auxiliary			
Middle Front area-Type			Auxiliary		Double Face - Multifunction	Semi-Fast	Semi-Fast	Semi-Fast			
Right Front area-Type	Semi-Fast	Semi-Fast		Auxiliary	Double Face - Multifunction	Semi-Fast	Semi-Fast	Semi-Fast			
Left Front area-Dimensions	55 mm	55 mm			55 mm	55 mm	55 mm	55 mm			
Middle Front area-Dimensions			55 mm		55 mm	55 mm	55 mm	55 mm			
Right Front area-Dimensions	75 mm	75 mm		55 mm	92X62 mm	75 mm	75 mm	75 mm			
Left Front area-Power (W)	1000	1000			1000	1000	1000	1000			
Middle Front area-Power (W)			1000		1000	1000	1000	1000			
Right Front area-Power (W)	1650	1650		1000	1500	1650	1650	1650			
Electronic ignition	1 Hand	1 Hand	1 Hand	1 Hand	1 Hand	1 Hand	1 Hand	1 Hand	1 Hand	1 Hand	1 Hand
Flame Failure Device	•	•	•	•	•	•	•	•	•	•	•
Residual Heat Indicator				1 For Each Cooking Zone							
Plate On/Off Indicator				1 For Each Plate							
Technical features											
Supply Voltage (V)	220-240	220-240	220-240	220-230	220-240	220-240	220-240	220-240	220-240	220-240	220-240
Supply Frequency (Hz)	50/60	50/60	50/60	50/60	50/60	50/60	50/60	50/60	50/60	50/60	50/60
Absorbed Power (W)	5.75			2000							
Absorbed Current (A)	0.025			8.69							
Gas Power (kW)	11.1	11.9	11.25	7.65	9.25	10.5	10.5	10.5	10.25	10.25	8.6
Fuses	Mono 230 V - 6 A	Mono 230 V - 6 A	Mono 230 V - 6 A	Mono 230 V - 10 A	Mono 230 V - 6 A	Mono 230 V - 6 A	Mono 230 V - 6 A	Mono 230 V - 6 A	Mono 230 V - 6 A	Mono 230 V - 6 A	Mono 230 V - 6 A
Plug Type	Argentine	Without Plug	Australian	Without Plug	Argentine	Without Plug	Australian	Without Plug	Without Plug	Without Plug	Without Plug
Electric wire type	3 X 0.75 mm ²	3 X 0.75 mm ²	3 X 1 mm ²	3 X 1 mm ²	3 X 0.75 mm ²	3 X 0.75 mm ²	3 X 1 mm ²	3 X 0.75 mm ²	3 X 0.75 mm ²	3 X 0.75 mm ²	3 X 0.75 mm ²
Cable Length (m)			1.0	1.0	1.0	0.0	1.0	0.0	1.0	1.0	1.0
Gas Type	Methane (Gpl)	Methane (Gpl)	Methane (Gpl)	Methane (Gpl)	Methane (Gpl)	Gpl (Methane City)	Methane (Gpl)	Gpl (Methane City)	Gpl (Methane City)	Gpl (Methane City)	Gpl (Methane City)
Dimensions											
Height PF (cm)	3.9	3.9	3.9	3.9	3.9	3.9	3.9	3.9	3.9	3.9	3.9
Width PF (cm)	75	75	75	75	75	75	75	75	75	75	75
Depth PF (cm)	51	51	51	51	51	51	51	51	51	51	51
Built-in hole											
Height (cm)	3.9	3.9	3.9	3.9	3.9	3.9	3.9	3.9	3.9	3.9	3.9
Width (cm)	55.5	55.5	55.5	55.5	55.5	55.5	55.5	55.5	55.5	55.5	55.5
Depth (cm)	47.5	47.5	47.5	47.5	47.5	47.5	47.5	47.5	47.5	47.5	47.5
Colour - Code											
Colour	Stainless Steel with cast iron grids	Stainless Steel with cast iron grids	Stainless Steel with cast iron grids	Stainless Steel with cast iron grids	Stainless Steel with cast iron grids	Stainless Steel with cast iron grids	Stainless Steel with cast iron grids	Stainless Steel	Stainless Steel with cast iron grids	Stainless Steel	Stainless Steel
Model	PK 750 RL GH AG	PK 750 T GH	PK 750 RT GH AUS	PK 741 RQO GH	PC 760 F GH AG	PC 750 T GH	PC 750 T GH AUS	PC 750 T X	PC 730 RT GH	PC 730 RT X	PC 720 RT X
Code	F078972	F078974	F078970	F078977	F078982	F080338	F079781	F078980	F078983	F078987	F078986
Code EAN	8007842789720	8007842789744	8007842789706	8007842789775	8007842789829	8007842803389	8007842797817	8007842789805	8007842789836	8007842789874	8007842789867

Ariston reserves the right to change technical specifications without notice.

Hobs 75-65-60 cm

Description	PK 755D GH X LPG	PK 644D GH X LPG	PKQ 755D GH (K) LPG	TQ 751 (ICE) K X	TD 640 (ICE) GH	TD 640 (ICE) IX	TD 640 S (BK) IX	PK 640 R L GH AG	PK 640 R GH	PK 640 R GH AUS
Aesthetic	Luce	Luce	Luce	Luce	Diamond	Diamond	Diamond	Luce	Luce	Luce
Surface colour	Stainless Steel	Stainless Steel	Black	Iceberg grey	Iceberg grey	Iceberg grey	Black	Stainless Steel	Stainless Steel	Stainless Steel
Surface material	Stainless Steel	Stainless Steel	Glass	Glass	Glass	Glass	Glass	Inox and Glass	Stainless Steel	Stainless Steel
Surface Finishing	Standard	Standard	Standard	Standard	Standard	Standard	Standard	Standard	Standard	Standard
Control type	Knob	Knob	Knob	Knob	Knob	Knob	Knob	Knob	Knob	Knob
Location Of Control Panel	Front	Front	Front	Front	Front	Front	Front	Front	Front	Front
No. Pan Supports	3	4	3	3	4	4	4	2	2	2
Pan Support Type	Cast Iron	Cast Iron	Cast Iron	Enamelled Flat Wire	Cast Iron	Enamelled Flat Wire	Enamelled Flat Wire	Cast Iron	Cast Iron	Cast Iron
Type Of Lid										
Total No. Cooking areas	5	4	5	5	4	4	4	4	4	4
No. Gas Burners	5	4	5	5	4	4	4	4	4	4
No. electric Plates										
No. Radiant areas										
No. induction areas										
No. dishwarmer areas										
Left Rear area-Type	FTGH Semi-Fast		FTGH Semi-Fast	Fast						
Middle Rear area-Type		FTGH Auxliary			Auxiliary				Auxiliary	Auxiliary
Right Rear area-Type	FTGH Semi-Fast		FTGH Semi-Fast	Semi-Fast		Auxiliary	Auxiliary		Auxiliary	Auxiliary
Left Rear area-Dimensions	132 mm		132 mm	100 mm						
Middle Rear area-Dimensions		132 mm			55 mm				55 mm	55 mm
Right Rear area-Dimensions	132 mm		132 mm	75 mm						
Left Rear area-Power (W)	1750		1750	2600						
Middle Rear area-Power (W)		1750			1000				1000	1000
Right Rear area-Power (W)	1750		1750	1650						
Left Middle area-Type		FTGH Semi-Fast			Fast				Fast	Fast
Middle Middle area-Type	FTGH Fast		FTGH Fast	MINI WOK						
Right Middle area-Type		FTGH Fast			Semi-Fast	Semi-Fast	Semi-Fast	Double Ring Double Regulation	Double Ring Double Regulation	Double Ring Double Regulation
Left Middle area-Dimensions		132 mm			100 mm			100 mm	100 mm	100 mm
Middle Middle area-Dimensions	157 mm		157 mm	110 mm						
Right Middle area-Dimensions		157 mm			75 mm			130 mm	130 mm	130 mm
Left Middle area-Power (W)		1750			3000			2600	2600	2600
Middle Middle area-Power (W)	2600		2600	3500						
Right Middle area-Power (W)		2600			1650			3600	3600	3600
Left Front area-Type	FTGH Auxliary		FTGH Auxliary	Auxiliary						
Middle Front area-Type		FTGH Semi-Fast			Semi-Fast	Semi-Fast	Semi-Fast	Semi-Fast	Semi-Fast	Semi-Fast
Right Front area-Type	FTGH Auxliary		FTGH Auxliary	Semi-Fast						
Left Front area-Dimensions	110 mm		110 mm	55 mm						
Middle Front area-Dimensions		110 mm			75 mm			75 mm	75 mm	75 mm
Right Front area-Dimensions	110 mm		110 mm	75 mm						
Left Front area-Power (W)	900		900	1000						
Middle Front area-Power (W)		900			1650			1650	1650	1650
Right Front area-Power (W)	900		900	1650						
Electronic ignition	1 Hand	1 Hand	1 Hand	1 Hand	1 Hand	1 Hand	1 Hand	1 Hand	1 Hand	1 Hand
Flame Failure Device	•	•	•	•	•	•	•	•	•	•
Residual Heat Indicator										
Plate On/Off Indicator										
Technical features										
Supply Voltage (V)	220-240	220-240	220-240	220-240	220-240	220-240	220-240	220-240	220-240	220-240
Supply Frequency (Hz)	50/60	50/60	50/60	50/60	50/60	50/60	50/60	50/60	50/60	50/60
Absorbed Power (W)								4,6		
Absorbed Current (A)								0,02		
Gas Power (kW)	7,9	7	7,9	10,4	7,3	7,3	7,3	8,85	8,85	8,85
Fuses	Mono 230 V - 6 A	Mono 230 V - 6 A	Mono 230 V - 6 A	Mono 230 V - 6 A	Mono 230 V - 6 A	Mono 230 V - 6 A	Mono 230 V - 6 A	Mono 230 V - 6 A	Mono 230 V - 6 A	Mono 230 V - 6 A
Plug Type	Without Plug	Without Plug	Without Plug	Without Plug	Without Plug	Without Plug	Without Plug	Without Plug	Without Plug	Australian
Electric wire type	3 X 0.75 mm ²	3 X 0.75 mm ²	3 X 0.75 mm ²	3 X 0.75 mm ²	3 X 0.75 mm ²	3 X 0.75 mm ²	3 X 0.75 mm ²	3 X 0.75 mm ²	3 X 0.75 mm ²	3 X 1 mm ²
Cable Length (m)		1,0		1,0	1,0	1,0	1,0	1,0	1,0	1,0
Gas Type	Only LPG (G31)	Only LPG (G31)	Only LPG (G31)	Methane (Gpl)	Methane (Gpl)	Methane (Gpl)	Gpl (Methane City)	Methane (Gpl)	Gpl (Methane City)	Methane (Gpl)
Dimensions										
Height PF (cm)	41,5	41,5	41,5	4,3	4,3	4,3	4,3	3,9	3,9	3,9
Width PF (cm)	75	60	75	75	60	60	60	65	65	65
Depth PF (cm)	51	51	51	51	51	51	51	51	51	51
Built-in hole										
Height (cm)	41,5	41,5	41,5	4,3	4,3	4,3	4,3	3,9	3,9	3,9
Width (cm)	55,5	55,5	55,5	55,5	55,5	55,5	55,5	55,5	55,5	55,5
Depth (cm)	47,5	47,5	47,5	47,5	47,5	47,5	47,5	47,5	47,5	47,5
Colour - Code										
Colour	Stainless Steel with cast iron grids	Stainless Steel with cast iron grids	Black with cast iron grids	Iceberg grey	Iceberg grey with cast iron grids	Iceberg grey	Black	Stainless Steel with cast iron grids	Stainless Steel with cast iron grids	Stainless Steel with cast iron grids
Model Code	PK 755D GH X LPG F082121	PK 644D GH X LPG F082122	PKQ 755D GH (K) LPG F082120	TQ 751 (ICE) K X F078233	TD 640 (ICE) GH F051319	TD 640 (ICE) IX F051318	TD 640 S (BK) IX F068959	PK 640 R L GH AG F078975	PK 640 R GH F081723	PK 640 R GH AUS F079780
Code EAN	8007842821215	8007842821222	8007842821208	8007842782332	8007842513196	8007842513189	8007842689594	8007842789751	8007842817232	8007842797800

Ariston reserves the right to change technical specifications without notice.

Hobs 60 cm

Description	PC 640 T GH	PC 640 T X	PC 640 N T X AUS	PC 640 N T GH	PC 640 T X AUS	PC 640 T [WH]	PC 640 X	PC 640 N X	PC 640 N [WH]	PC 640 N [BK]	PC 631 X	PC 631 N X	PC 604 X
Aesthetic	Newstyle	Newstyle	Newstyle	Newstyle	Newstyle	Newstyle	Newstyle	Newstyle	Newstyle	Newstyle	Newstyle	Newstyle	Newstyle
Surface colour	Stainless Steel	Stainless Steel	Stainless Steel	Stainless Steel	Stainless Steel	White	Stainless Steel	Stainless Steel	White	Black	Stainless Steel	Stainless Steel	Stainless Steel
Surface material	Stainless Steel	Stainless Steel	Stainless Steel	Stainless Steel	Stainless Steel	Stainless Steel	Stainless Steel	Stainless Steel	Stainless Steel	Stainless Steel	Stainless Steel	Stainless Steel	Stainless Steel
Surface Finishing	Standard	Standard	Standard	Standard	Standard	Standard	Standard	Standard	Standard	Standard	Standard	Standard	Standard
Control type	Knob	Knob	Knob	Knob	Knob	Knob	Knob	Knob	Knob	Knob	Knob	Knob	Knob
Location Of Control Panel	Front	Front	Front	Front	Front	Front	Front	Front	Front	Front	Front	Front	Front
No. Pan Supports	2	2	2	2	2	2	2	2	2	2	1	1	
Pan Support Type	Cast Iron	Enamelled Flat Wire	Enamelled Flat Wire	Cast Iron	Enamelled Flat Wire	Enamelled Flat Wire	Enamelled Flat Wire	Enamelled Flat Wire	Enamelled Flat Wire	Enamelled Flat Wire	Enamelled Flat Wire	Enamelled Flat Wire	
Type Of Lid	Optional	Optional	Optional	Optional	Optional	Optional	Optional	Optional	Optional	Optional	Optional	Optional	Optional
Total No. Cooking areas	4	4	4	4	4	4	4	4	4	4	4	4	4
No. Gas Burners	4	4	4	4	4	4	4	4	4	4	3	3	4
No. electric Plates											1	1	
No. Radiant areas													
No. Induction areas													
No. dishwarmer areas													
Left Rear area-Type													
Middle Rear area-Type	Auxiliary	Auxiliary	Auxiliary	Auxiliary	Auxiliary	Auxiliary	Auxiliary	Auxiliary	Auxiliary	Auxiliary	Auxiliary	Auxiliary	Standard Electric Plate
Right Rear area-Type													
Left Rear area-Dimensions													
Middle Rear area-Dimensions	55 mm	55 mm	55 mm	55 mm	55 mm	55 mm	55 mm	55 mm	55 mm	55 mm	55 mm	55 mm	110 mm
Right Rear area-Dimensions													
Left Rear area-Power (W)													
Middle Rear area-Power (W)	1000	1000	1000	1000	1000	1000	1000	1000	1000	1000	1000	1000	600
Right Rear area-Power (W)													
Left Middle area-Type	Fast	Fast	Fast	Fast	Fast	Fast	Fast	Fast	Fast	Fast	Fast	Fast	Fast Electric Plate
Middle Middle area-Type													
Right Middle area-Type	Triple Ring	Triple Ring	Triple Ring	Triple Ring	Triple Ring	Triple Ring	Semi-Fast	Semi-Fast	Semi-Fast	Semi-Fast	Fast Electric Plate	Fast Electric Plate	Fast Electric Plate
Left Middle area-Dimensions	100 mm	100 mm	100 mm	100 mm	100 mm	100 mm	100 mm	100 mm	100 mm	100 mm	100 mm	100 mm	145 mm
Middle Middle area-Dimensions													
Right Middle area-Dimensions	130 mm	130 mm	130 mm	130 mm	130 mm	130 mm	75 mm	75 mm	75 mm	75 mm	145 mm	145 mm	145 mm
Left Middle area-Power (W)	2600	2600	2600	2600	2600	2600	3000	3000	3000	3000	3000	3000	1500
Middle Middle area-Power (W)													
Right Middle area-Power (W)	3600	3600	3600	3600	3600	3600	1650	1650	1650	1650	1500	1500	1500
Left Front area-Type													
Middle Front area-Type	Semi-Fast	Semi-Fast	Semi-Fast	Semi-Fast	Semi-Fast	Semi-Fast	Semi-Fast	Semi-Fast	Semi-Fast	Semi-Fast	Semi-Fast	Semi-Fast	Fast Electric Plate
Right Front area-Type													
Left Front area-Dimensions													
Middle Front area-Dimensions	75 mm	75 mm	75 mm	75 mm	75 mm	75 mm	75 mm	75 mm	75 mm	75 mm	75 mm	75 mm	180 mm
Right Front area-Dimensions													
Left Front area-Power (W)													
Middle Front area-Power (W)	1650	1650	1650	1650	1650	1650	1650	1650	1650	1650	1650	1650	2000
Right Front area-Power (W)													
Electronic ignition	1 Hand	1 Hand	1 Hand	1 Hand	1 Hand	1 Hand	1 Hand	1 Hand	1 Hand	1 Hand	1 Hand	1 Hand	
Flame Failure Device	•	•	•	•	•	•	•	•	•	•	•	•	
Residual Heat Indicator													
Plate On/Off Indicator													•
Technical features													
Supply Voltage (V)	220-240	220-240	220-240	220-240	220-240	220-240	220-240	220-240	220-240	220-240	220-230	220-230	230/400 3N
Supply Frequency (Hz)	50/60	50/60	50/60	50/60	50/60	50/60	50/60	50/60	50/60	50/60	50/60	50/60	50/60
Absorbed Power (W)											1500	1500	5600
Absorbed Current (A)											6.5	6.5	24.3
Gas Power (kW)	8.85	8.85	8.85	8.85	8.85	8.85	7.3	7.3	7.3	7.3	6.3	6.3	0.0
Fuses	Mono 230 V - 6 A	Mono 230 V - 6 A	Mono 230 V - 6 A	Mono 230 V - 10 A	Mono 230 V - 6 A	Mono 230 V - 6 A	Mono 230 V - 6 A	Mono 230 V - 6 A	Mono 230 V - 6 A	Mono 230 V - 6 A	Mono 230 V - 10 A	Mono 230 V - 10 A	Mono 230 V - 10 A
Plug Type	Without Plug	Without Plug	Australian	Without Plug	Australian	Without Plug	Without Plug	Without Plug	Without Plug	Without Plug	Without Plug	Without Plug	Without Plug
Electric wire type	3 X 0.75 mm ²	3 X 0.75 mm ²	3 X 1 mm ²	3 X 0.75 mm ²	3 X 1 mm ²	3 X 0.75 mm ²	3 X 0.75 mm ²	3 X 0.75 mm ²	3 X 0.75 mm ²	3 X 0.75 mm ²	3 X 1 mm ²	3 X 1 mm ²	Without Cable
Cable Length (m)	1.0	1.0	1.0	1.0	1.0	1.0	1.0	1.0	1.0	1.0	1.0	1.0	
Gas Type	Methane (Gpl)	Gpl (Methane City)	Methane (Gpl)	Methane (Gpl)	Methane (Gpl)	Methane (Gpl)	Gpl (Methane City)	Methane (Gpl)	Methane (Gpl)	Methane (Gpl)	Gpl (Methane City)	Methane (Gpl)	
Dimensions													
Height PF (cm)	3.9	3.9	3.9	3.9	3.9	3.9	3.9	3.9	3.9	3.9	3.9	3.9	3.9
Width PF (cm)	60	60	60	60	60	60	60	60	60	60	60	60	60
Depth PF (cm)	51	51	51	51	51	51	51	51	51	51	51	51	51
Built-in hole													
Height (cm)	3.9	3.9	3.9	3.9	3.9	3.9	3.9	3.9	3.9	3.9	3.9	3.9	3.9
Width (cm)	55.5	55.5	55.5	55.5	55.5	55.5	55.5	55.5	55.5	55.5	55.5	55.5	55.5
Depth (cm)	47.5	47.5	47.5	47.5	47.5	47.5	47.5	47.5	47.5	47.5	47.5	47.5	47.5
Colour - Code													
Colour	Stainless Steel with cast iron grids	Stainless Steel	Stainless Steel	Stainless Steel with cast iron grids	Stainless Steel	White	Stainless Steel	Stainless Steel	White	Black	Stainless Steel	Stainless Steel	Stainless Steel
Model	PC 640 T GH	PC 640 T X	PC 640 N T X AUS	PC 640 N T GH	PC 640 T X AUS	PC 640 T [WH]	PC 640 X	PC 640 N X	PC 640 N [WH]	PC 640 N [BK]	PC 631 X	PC 631 N X	PC 604 X
Code	F080337	F078979	F078984	F079779	F078978	F078981	F087375	F087377	F087372	F087374	F087376	F087373	F087847
Code EAN	8007842803372	8007842789794	8007842789843	8007842797794	8007842789782	8007842789812	8007842873757	8007842873771	8007842873726	8007842873740	8007842873764	8007842873733	8007842878479

HOB

Products	Aesthetic line	Dimensions	Number of burners	Number of special burners	Safety	Type of burner	Aesthetics	Cast Iron	Knobs
P: metal	H: New Style	6: 60 cm	1: one burner	0: 0 special burners	S: safety	T: triple ring	R: Tradition	GH: cast iron	N: nichelate
T: gas on glass	Z: Experience Inox	7: 70/75 cm	2: two burners	1: one special burners		R: DCDR			K: Luce knobs
R: radiant	Q: Experience gas on glass	9: 90 cm	3: three burners	2: two special burners		B: barbecue			
I: induction	D: Diamond		4: four burners	5: halogen/radiant (1 halogen)		V: VTC			
E: mix	K: Luce		5: five burners	6: halogen/radiant (2 halogen)		C: chef burners			
	KQ: Luce glass		6: six burners	7: induction radiant		W: mini wok			
				8: gas radiant		F: double face			
				9: gas induction		E: electric plate			
						D: Direct Flame			

Ariston reserves the right to change technical specifications without notice.

Hobs 30 cm

Description	DK 20S (IX)	DK 20 GH (AUS)	DK 02S (IX)	DK 02 (IX)	DK 02 (IX) AG	DK 2KL (IX)	DK 2K (IX)	DK B (IX)	DK F (IX)
Aesthetic	Luce	Luce	Luce	Luce	Luce	Luce	Luce	Luce	Luce
Surface colour	Stainless Steel	Stainless Steel	Stainless Steel	Stainless Steel	Stainless Steel	Black	Black	Stainless Steel	Stainless Steel
Surface material	Stainless Steel	Stainless Steel	Stainless Steel	Stainless Steel	Stainless Steel	Ceramic Glass With Frame	Ceramic Glass With Frame	Stainless Steel	Stainless Steel
Surface Finishing	Standard	Standard	Standard	Standard	Standard	Standard	Standard	Standard	Standard
Control type	Knob	Knob	Knob	Knob	Knob	Touch-Control	Knob	Knob	Knob
Location Of Control Panel	Front	Front	Front	Front	Front	Front	Front	Front	Front
No. Pan Supports	1	1						1	
Pan Support Type	Enamelled Wire	Cast Iron						Enamelled Wire	
Type Of Lid	Optional	Optional							Stainless Steel
Total No. Cooking areas	2	2	2	2	2	2	2	1	1
No. Gas Burners	2	2							
No. electric Plates			2	2	2				
No. Radiant areas						2	2		
No. Induction areas									
No. dishwarmer areas								1	1
Left Rear area-Type									
Middle Rear area-Type	Fast	Fast	Fast Electric Plate	Fast Electric Plate	Fast Electric Plate	Radiant	Radiant		
Right Rear area-Type									
Left Rear area-Dimensions									
Middle Rear area-Dimensions	100 mm	100 mm	180 mm	180 mm	180 mm	180 mm	180 mm		
Right Rear area-Dimensions									
Left Rear area-Power (W)									
Middle Rear area-Power (W)	3000	3000	2000	2000	2000	1700	1700		
Right Rear area-Power (W)									
Left Middle area-Type								Barbecue	Deep Fryer
Middle Middle area-Type									
Right Middle area-Type									
Left Middle area-Dimensions									
Middle Middle area-Dimensions								Special Zone	Special Zone
Right Middle area-Dimensions									
Left Middle area-Power (W)									
Middle Middle area-Power (W)								2400	2300
Right Middle area-Power (W)									
Left Front area-Type									
Middle Front area-Type	Auxiliary	Auxiliary	Fast Electric Plate	Fast Electric Plate	Fast Electric Plate	Radiant	Radiant		
Right Front area-Type									
Left Front area-Dimensions									
Middle Front area-Dimensions	55 mm	55 mm	145 mm	145 mm	145 mm	145 mm	145 mm		
Right Front area-Dimensions									
Left Front area-Power (W)									
Middle Front area-Power (W)	1000	1000	1500	1500	1500	1200	1200		
Right Front area-Power (W)									
Electronic ignition	1 Hand	1 Hand							
Flame Failure Device									
Residual Heat Indicator									
Plate On/Off Indicator			1 For Each Plate	1 For Each Plate	1 For Each Plate	1 For Each Cooking Zone	1 For Each Cooking Zone	1 For Each Plate	1 For Each Plate
Technical features									
Supply Voltage (V)	230	230	230	230	230	230	230	230	230
Supply Frequency (Hz)	50/60	50/60	50/60	50/60	50/60	50/60	50/60	50/60	50/60
Absorbed Power (W)			3500	3500	3500	3700	2900	2400	2300
Absorbed Current (A)				15.2	15.2		12.6	10.4	10
Gas Power (kW)	4	4							
Fuses	Mono 230 V - 6 A	Mono 230 V - 6 A	Mono 230 V - 10 A	Mono 230 V - 16 A	Mono 230 V - 16 A	Mono 230 V - 16 A	Mono 230 V - 16 A	Mono 230 V - 12 A	Mono 230 V - 12 A
Plug Type	Without Plug	Without Plug	Without Plug	Without Plug	Without Plug	Without Plug	Without Plug	Without Plug	Without Plug
Electric wire type	3 X 0.75 mm ²	3 X 0.75 mm ²	5 X 1.5 mm ²	3 X 1.5 mm ²	3 X 1.5 mm ²	3 X 1.5 mm ²	3 X 1.5 mm ²	3 X 1.5 mm ²	3 X 1.5 mm ²
Cable Length (m)	1.0	1.0	1.0	1.0	1.0	1.0	1.0	1.0	1.0
Gas Type	Methane (Gpl)	Methane (Gpl)	Methane (Gpl)						
Dimensions									
Height PF (cm)	5.9	5.9	4.2	4.2	4.2	5.5	5.5	5	15.5
Width PF (cm)	28.8	28.8	28.8	28.8	28.8	28.8	28.8	28.8	28.8
Depth PF (cm)	51	51	51	51	51	51	51	51	51
Built-in hole									
Height (cm)	5.9	5.9	4.2	4.2	4.2	5.5	5.5	5	15.5
Width (cm)	27	27	27	27	27	27	26.8	27	27
Depth (cm)	49.4	49.4	49.4	49.4	49.4	49.4	49	49.4	49.4
Colour - Code									
Colour	Stainless Steel	Stainless Steel with cast iron grid	Stainless Steel	Stainless Steel	Stainless Steel	Black with Stainless Steel frame	Black with Stainless Steel frame	Stainless Steel	Stainless Steel
Model Code	DK 20S (IX) F078206	DK 20 GH (AUS) F078208	DK 02S (IX) F078202	DK 02 (IX) F078200	DK 02 (IX) AG F078209	DK 2KL (IX) F078210	DK 2K (IX) F078203	DK B (IX) F078204	DK F (IX) F078201
Code EAN	8007842782066	8007842782080	8007842782028	8007842782004	8007842782097	8007842782103	8007842782035	8007842782042	8007842782011

HOBBS

DOMINO HOB

Product line	Aesthetic line	Supply	S	T	IX
D: Domino	Z: Experience Ariston	20: 2 gas burners	S: gas safety	T: triple ring	IX: inox colour
	K: Luce Ariston	10: 1 gas burner	F: fryer hob		
		02: electric	B: barbecue hob		
		** : others			

Ariston reserves the right to change technical specifications without notice.

Ceramic Glass

Description	NIO 844 DO B AUS S	NIO 632 CP C AUS	NIC 641 B	NIX 644 B E	NRP 950 DO B	NRO 841 O X	NRC 641 D B	NRB 640 C AUS	NRB 640 X	NRB 640 B	NRM 640 X
Aesthetic	Luce Black	Luce Black	Luce Black	Newstyle Black	Black	Black	Black	Black	Black	Black	Black
Surface colour	Black	Black	Black	Black	Black	Black	Black	Black	Black	Black	Black
Surface material	Ceramic Glass Bevelled	Ceramic Glass Standard	Ceramic Glass Bevelled	Ceramic Glass Bevelled	Ceramic Glass Bevelled	Ceramic Glass With Frame	Ceramic Glass Bevelled	Ceramic Glass Standard	Ceramic Glass With Frame	Ceramic Glass Bevelled	Ceramic Glass With Frame
Surface Finishing	Touch-Control	Touch-Control	Touch-Control	Touch-Control	Touch-Control	Touch-Control	Touch-Control	Touch-Control	Touch-Control	Touch-Control	Knob
Control type	Front	Front	Front	Front	Front	Front	Front	Front	Front	Front	Side
Location Of Control Panel											
No. Pan Supports											
Pan Support Type											
Type Of Lid											
Total No. Cooking areas	4	3	4	4	5	4	4	4	4	4	4
No. Gas Burners											
No. electric Plates											
No. Radiant areas					5	4	4	4	4	4	4
No. Induction areas	4	3	4	4							
No. dishwarmer areas											
Left Rear area-Type	Induction With Booster	Induction With Booster	Induction	Induction With Booster	Oval Hilight		Double Ring Hilight	Hilight	Hilight	Hilight	Hilight
Middle Rear area-Type					Hilight						
Right Rear area-Type	Double Ring Induction With Booster Special Zone	Induction With Booster Special Zone	Induction With Booster Special Zone	Induction With Booster 145 mm	Hilight	Hilight	Hilight	Hilight	Hilight	Hilight	Hilight
Left Rear area-Dimensions					170X260 mm	210/140 mm	210 mm	210 mm	210 mm	210 mm	210 mm
Middle Rear area-Dimensions					180 mm						
Right Rear area-Dimensions					145 mm	230 mm	160 mm	160 mm	160 mm	160 mm	160 mm
Left Rear area-Power (W)	1400 (600) - B 2000	C 1400 - B 1800	Special Zone 1400	1200 - B1600	1400-2200	2200/1000	2300	2300	2300	2300	2300
Middle Rear area-Power (W)					1800						
Right Rear area-Power (W)	2200 (1600) - B 3000	2200 (1600) - B 3000	2200 - B 3000	1500 - B 2000	1200	2300	1400	1400	1400	1400	1400
Left Middle area-Type						Oval Hilight Hilight					
Middle Middle area-Type											
Right Middle area-Type											
Left Middle area-Dimensions						170X260 mm					
Middle Middle area-Dimensions						180 mm					
Right Middle area-Dimensions											
Left Middle area-Power (W)						2400/1500					
Middle Middle area-Power (W)						1800					
Right Middle area-Power (W)											
Left Front area-Type	Oval Induction With Booster	Induction With Booster	Induction	Induction With Booster	Hilight		Hilight	Hilight	Hilight	Hilight	Hilight
Middle Front area-Type											
Right Front area-Type	Induction With Booster Special Zone	Induction With Booster Special Zone	Induction Special Zone	Induction With Booster 210 mm	Double Ring Hilight 145 mm	Hilight	Hilight	Hilight	Hilight	Hilight	Hilight
Left Front area-Dimensions						145 mm	145 mm	145 mm	145 mm	145 mm	145 mm
Middle Front area-Dimensions											
Right Front area-Dimensions						145 mm	180 mm	180 mm	180 mm	180 mm	180 mm
Left Front area-Power (W)	2200 (1600) - B 3000	C 1400 - B 1800	Special Zone 2200	1500 - B 2000	180/120 mm 1200	145 mm	180 mm 1200	180 mm 1200	180 mm 1200	180 mm 1200	180 mm 1200
Middle Front area-Power (W)											
Right Front area-Power (W)	1400 (600) - B 2000	1400 (600) - B 2000	1400 (600)	1200 - B1600	750-1700	1200	1800	1800	1800	1800	1800
Electronic ignition											
Flame Failure Device											
Residual Heat Indicator					1 For Each Cooking Zone	1 For Each Cooking Zone	1 For Each Cooking Zone	1 For Each Cooking Zone	1 For Each Cooking Zone	1 For Each Cooking Zone	1 For Each Cooking Zone
Plate On/Off Indicator	1 For Each Plate	1 For Each Plate	1 For Each Plate	1 For Each Plate	1 For Each Plate	1 For Each Plate	1 For Each Plate	1 For Each Plate	1 For Each Plate	1 For Each Plate	1 For Each Plate
Technical features											
Supply Voltage (V)	220-240	220-240	220-230/380-400	220-230/380-400	220-230/380-400	220-230/380-400	220-230/380-400	220-240	220-230/380-400	220-230/380-400	220-230/380-400
Supply Frequency (Hz)	50	50	50	50/60	50/60	50/60	50/60	50/60	50/60	50/60	50/60
Absorbed Power (W)	7200	7200	7200	7200	8100	7700	6600	6700	6700	6700	6700
Absorbed Current (A)	31.3	32.0	31.3	31.3	28.7	33.4	28.7	29.1	29.1	29.1	29.1
Gas Power (kW)											
Fuses	Mono 230 V - 32 A	Mono 230 V - 32 A	Mono 230 V - 32 A	Mono 230 V - 32 A	Mono 230 V - 32 A	Mono 230 V - 32 A	Mono 230 V - 32 A	Mono 240 V - 32 A	Mono 230 V - 32 A	Mono 230 V - 32 A	Mono 230 V - 32 A
Plug Type	Without Plug	Without Plug	Without Plug	Without Plug	Without Plug	Without Plug	Without Plug	Without Plug	Without Plug	Without Plug	Without Plug
Electric wire type	6 x 1.5 mm ²	6 x 1.5 mm ²	6 x 1.5 mm ²	6 x 1.5 mm ²	6 x 1.5 mm ²	6 x 1.5 mm ²	6 x 1.5 mm ²	6 x 1.5 mm ²	6 x 1.5 mm ²	6 x 1.5 mm ²	6 x 1.5 mm ²
Cable Length (m)	1	1	1	1	1	1	1	1	1	1	1
Gas Type											
Dimensions											
Height (cm)	5.3	5.3	5.3	5.55	4.8	4.8	4.8	4.8	4.8	4.8	4.8
Width (cm)	78.5	59	59	59	90	78.5	59	59	57.4	59	57.4
Depth (cm)	52	52	52	51	51	51	52	52	50.4	52	50.4
Built-in hole											
Height (cm)	5.3	5.3	5.3	5.55	4.8	4.8	4.8	4.8	4.8	4.8	4.8
Width (cm)	75	56	56	56	88	75	56	56	56	56	56
Depth (cm)	49	49	49	49	49	49	49	49	49	49	49
Colour - Code											
Colour	Black	Black	Black	Black	Black	Black	Black	Black	Black	Black	Black
Model	NIO 844 DO B AUS S	NIO 632 CP C AUS	NIC 641 B	NIX 644 B E	NRP 950 DO B	NRO 841 O X	NRC 641 D B	NRB 640 C AUS	NRB 640 X	NRB 640 B	NRM 640 X
Code	F080009	F081721	F079094	F082479	F084324	F079098	F079097	F083901	F083902	F083903	F079099
Code EAN	8007842800098	8007842817218	8007842790948	8007842824797	8007842843248	8007842790986	8007842790979	8007842839012	8007842839029	8007842839036	8007842790993

CERAMIC GLASS

Brand	Type	Control type	Dimensions	# booster/specialzones	Specialzone type	Aesthetic
N: Ariston	R: radiant	A: classic without timer	6: 60cm	INDUCTION	O: oval	X: inox frame
	I: induction	C: classic	7: 70/75 cm	0: no boosters	D: double	Z: experience profile
	E: mixed	O: comfort	8: 80 cm	1: 1 booster	T: triple	B: bevelled finishing
		L: comfort qualitative	9: 90 cm	2: 2 booster	C: flexizone	C: cristal
		P: premium		3: 3 booster		F: frontal profile
		N: premium qualitative		4: 4 booster		L: lateral profile
		M: knobs without control				MT: mirror
		S: slider				
		B: 2014 restyling				

Ariston reserves the right to change technical specifications without notice.

HOODS

High Performance and attention to Detail.

HOODS

HIGH PERFORMANCE AND ATTENTION TO DETAIL.

AUTOMATIC SENSOR

This sensor constantly detects the level of vapours and odours during cooking and activates the switching on and off of the hood completely automatically. By controlling the power automatically, consumption is therefore optimised.

PERIMETRAL ASPIRATION

An alternative aspiration technology: perimetral aspiration allows the air flow to be transferred to the outer edge of the cooker hood, thereby resulting in an effective method of reducing energy consumption and noise levels. The filters, positioned under the steel panel, improve the appearance of the hood and make cleaning and servicing easier.

FILTER SATURATION WARNING LIGHTS

The hoods have a warning light that comes on when it is time to clean the anti-grease filter or replace the active carbon filter.

BOOSTER

When this function is selected, heavy odours or fumes are aspirated in just a few seconds, thanks to the sheer power of the hood. The timed Booster switches off automatically after 5 minutes.

CONTROLS

Whether you use a mechanical keypad, soft touch buttons or ergonomic Touch Control commands, operating and programming your hood is always smooth and easy. The Touch Control commands are especially designed so that they do not interrupt the aesthetical continuity of the surfaces and make cleaning easier.

LIGHTING

Ariston hoods light up the entire cooking hob making it easier to prepare and control food, and are fitted (depending on the model) with low consumption bulbs, halogen bulbs or LEDs. LEDs are particularly effective in lighting your cooking hob and not only light up the entire surface area without creating shadows but also allow energy savings of up to 90% and last 10 times longer than traditional light bulbs.



MAINTENANCE

Maintenance of your Ariston hood is extremely simple and practical:

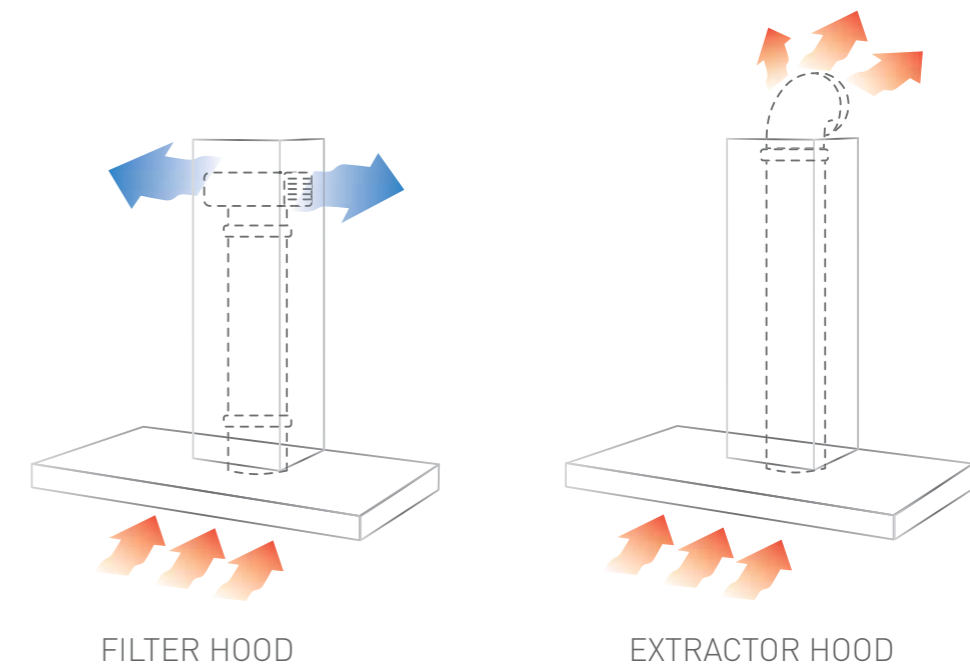
- the anti-grease filter can be removed in just a few seconds and washed in the dishwasher;
- the active carbon filter can be replaced quickly every 3/4 months to ensure that the motor operates efficiently, and does not require any special intervention;
- correct use of the hood reduces its noise level: simply follow a few simple steps to reduce noise. For example, switch on the hood at the lowest speed as soon as you start cooking and then increase it once steam and odours intensify, then return to minimum speed and leave the hood running for 5 more minutes once you have finished cooking.

HOODS TO SUIT ALL KITCHENS.

A cooker hood must be chosen according to the type of kitchen bearing in mind 3 basic principles that must be followed correctly to achieve the best results and eliminate tiresome fumes and vapours.

INSTALLATION OF EXTRACTOR OR FILTER HOODS

Ariston offers a full range of extractor and filter hoods. Extractor hoods are more effective since they remove 100% of odours and require an outside vent to discharge fumes. Alternatively, if a filter hood is installed, odours, fumes and vapours can be captured and purified air released into the kitchen.



- There are a few, simple rules to be followed for the correct installation of your hood:
- the hood must be fixed centrally above the cooking hob;
 - the minimum distance between the hood and the hob must be no less than 65 cm for electric hobs and 70 cm for gas hobs (do not exceed a maximum distance of 75 cm);
 - the outlet pipe should be as straight as possible and have the same diameter as the flange (moving the air column in the evacuation chamber will lead to a loss in efficiency which is compensated for by increased hood power);
 - the hood must be installed away from air currents;
 - the extracted air must not be channelled into the same channel used for fume discharge from other appliances.

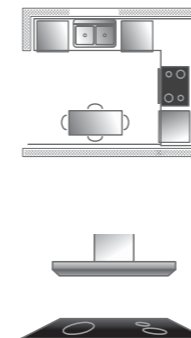
FORMULA FOR EXTRACTION POWER OF COOKER HOODS

The power of the hood must be 10 times greater than the volume of the kitchen to achieve the best performance.

The formula that expresses this principle:
 $(\text{width} \times \text{length} \times \text{depth}) \times 10 \text{ air extraction/h} = \text{extraction power of hood}$

WIDTH OF HOB

To select a hood correctly, its dimensions must be the same as or larger than the hob.





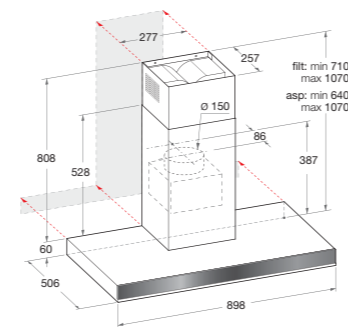
LUCE HLB 9.8 LTI X
Cod. F082244
EAN 800784282241



90 CM BOX HOOD

- Touch Control
- IEC extraction 762 (m³/h)
- Sound level 71 dB(A)
- No. of speeds: 3 + Temporized Booster
- 2 Led x 3 Watt
- 3 Self Supporting Stainless Steel filters
- Dishwashers friendly filters

Stainless steel



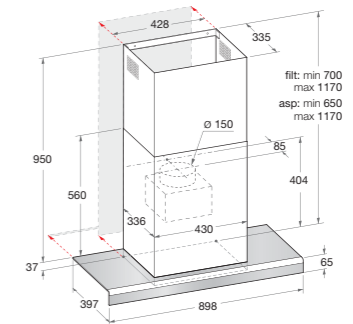
LUCE HLQB 9.8 LTI X
Cod. F082247
EAN 8007842822472



90 CM BOX HOOD

- Touch Control
- IEC extraction 767 (m³/h)
- Sound level 69 dB(A)
- No. of speeds: 3 + Temporized Booster
- 2 Led x 3 Watt
- 1 Self Supporting Stainless Steel filter
- Dishwashers friendly filter

Stainless steel



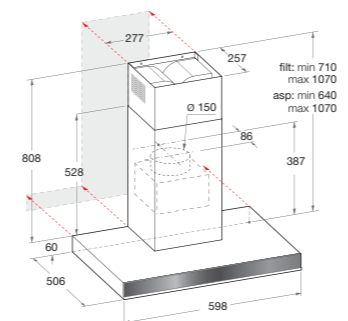
LUCE HLB 6.8 LT X
Cod. F082251
EAN 8007842822519



60 CM BOX HOOD

- Touch Control
- IEC extraction 762 (m³/h)
- Sound level 71 dB(A)
- No. of speeds: 3 + Temporized Booster
- 2 Led x 3 Watt
- 2 Self Supporting Aluminium filters
- Dishwashers friendly filters

Stainless steel

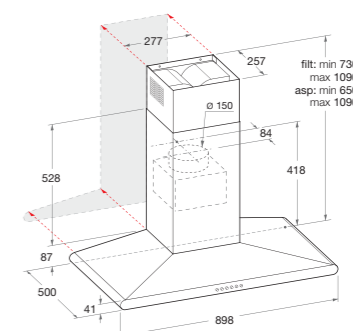


LUCE HLC 9.8 ATI X
Cod. F082246
EAN 8007842822465

90 CM CHIMNEY HOOD

- Touch Control
- IEC extraction 772 (m³/h)
- Sound level 71 dB(A)
- No. of speeds: 3 + Temporized Booster
- 2 halogen lights x 20 Watt
- 3 Self Supporting Stainless Steel filters
- Dishwashers friendly filters

Stainless steel

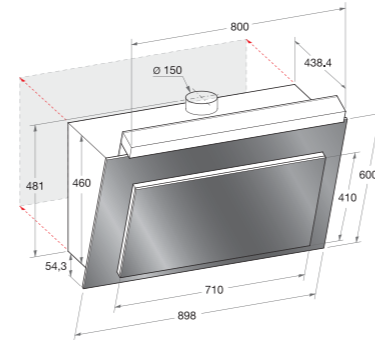




LUCE HKQV 9 K /HA
 Cod. F074128
 EAN 8007842741285

- 90 CM VERTICAL HOOD**
- Touch Control
 - IEC extraction 630 (m³/h)
 - Sound level 69 dB(A)
 - No. of speeds: 3 + Temporized Booster
 - 4 halogen lights x 20 Watt
 - 1 Self Supporting Aluminium filter
 - Dishwashers friendly filter

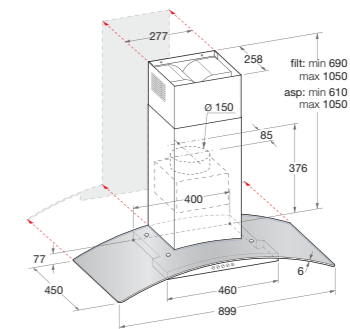
Black



Diamond HGA 9.5 AM X
 Cod. F082252
 EAN 8007842822526

- CURVED GLASS HOOD**
- Mechanic Buttons
 - IEC extraction 434 (m³/h)
 - Sound level 69 dB(A)
 - No. of speeds: 3
 - 2 halogen lights x 20 Watt
 - 1 Extractable Aluminium filter
 - Dishwashers friendly filter

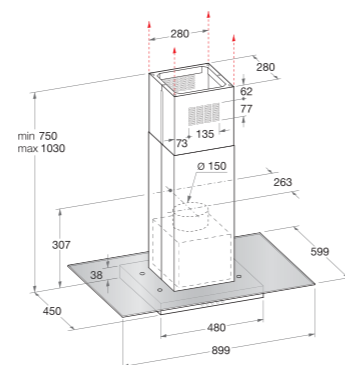
Stainless steel



Diamond HDI 90 E
 Cod. F065291
 EAN 8007842652918

- 90 CM GLASS ISLAND HOOD**
- Electronic Buttons
 - IEC extraction 570 (m³/h)
 - Sound level 66 dB(A)
 - No. of speeds: 12 + Temporised Booster
 - 2 lights x 40 Watt
 - 2 Self Supporting Aluminium filters
 - Dishwashers friendly filter

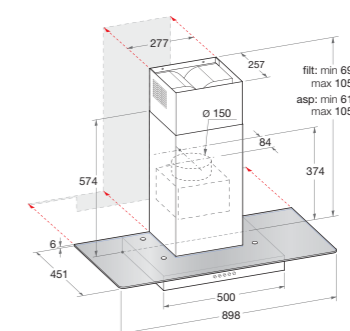
Stainless steel



Diamond HGF 9.5S AB X
 Cod. F082245
 EAN 8007842822458

- 90 CM GLASS HOOD**
- Soft Buttons
 - IEC extraction 486 (m³/h)
 - Sound level 61 dB(A)
 - No. of speeds: 3 + Temporized Booster
 - 2 halogen lights x 20 Watt
 - 1 Extractable Aluminium filter
 - Dishwashers friendly filter

Stainless steel





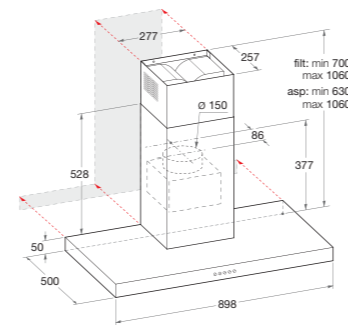
NEWSTYLE
Cod. F082250
EAN 8007842822502

HNB 9.8 ADI X

90 CM BOX HOOD

- Soft Buttons + Display
- IEC extraction 762 (m³/h)
- Sound level 71 dB(A)
- No. of speeds: 3 + Temporized Booster
- 2 halogen lights x 20 Watt
- 3 Self Supporting Stainless Steel filters
- Dishwashers friendly filters

Stainless steel



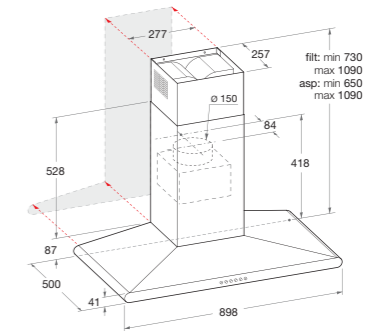
NEWSTYLE
Cod. F082237
EAN 8007842822373

HNC 9.7 AB X

90 CM CHIMNEY HOOD

- Soft Buttons
- IEC extraction 651 (m³/h)
- Sound level 67 dB(A)
- No. of speeds: 3 + Temporized Booster
- 2 halogen lights x 20 Watt
- 3 Extractable Aluminium filters
- Dishwashers friendly filters

Stainless steel



NEWSTYLE
Cod. F082238
EAN 8007842822380

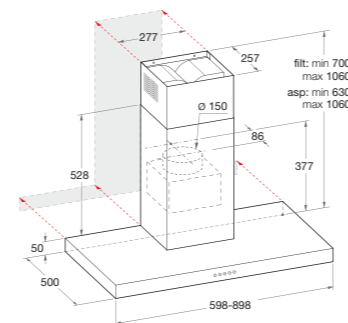
HNB 6.7 AD X

60 CM BOX HOOD

- Soft Buttons + Display
- IEC extraction 644 (m³/h)
- Sound level 67 dB(A)
- No. of speeds: 3 + Temporized Booster
- 2 halogen lights x 20 Watt
- 2 Extractable Aluminium filters
- Dishwashers friendly filters

Stainless steel

Also available 90 cm:
HNB 9.7 AD X
Cod. F082241 - EAN 8007842822410



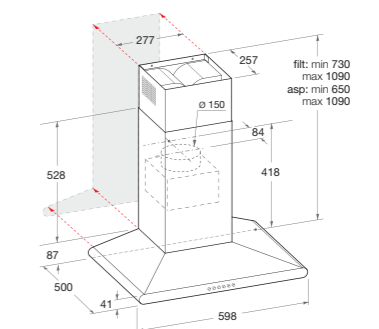
NEWSTYLE
Cod. F082243
EAN 8007842822434

HNC 6.7 AB X

60 CM CHIMNEY HOOD

- Soft Buttons
- 651 IEC extraction 651 (m³/h)
- Sound level 67 dB(A)
- No. of speeds: 3 + Temporized Booster
- 2 halogen lights x 20 Watt
- 2 Extractable Aluminium filters
- Dishwashers friendly filters

Stainless steel





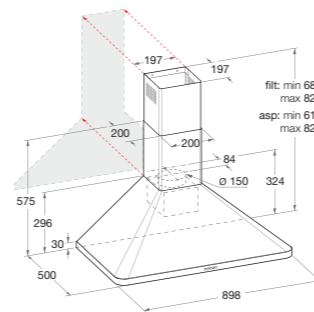
NEWSTYLE
Cod. F082236
EAN 8007842822366

HNP 9.8 AM X

90 CM PYRAMID HOOD

- Mechanic Buttons
- IEC extraction 760 (m³/h)
- Sound level 72 dB(A)
- No. of speeds: 3
- 2 halogen lights x 20 Watt
- 3 Self Supporting Aluminium filters
- Dishwashers friendly filters

Stainless steel



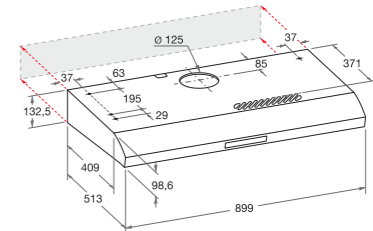
Cod. F030098
EAN 8007842300987

SL 19.1P IX

90 CM VISOR HOOD

- Slider
- IEC extraction 420 (m³/h)
- Sound level 69 dB(A)
- No. of speeds: 3
- 2 light x 40 Watt
- 3 Self Supporting Aluminium filters
- Dishwashers friendly filters

Stainless steel



Cod. F030090
EAN 8007842300901

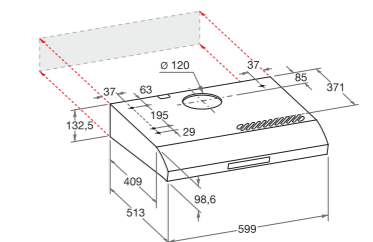
SL 16.1P IX

60 CM VISOR HOOD

- Slider
- IEC extraction 420 (m³/h)
- Sound level 69 dB(A)
- No. of speeds: 3
- 2 halogen lights x 20 Watt
- 2 Self Supporting Aluminium filters
- Dishwashers friendly filters

Stainless steel

Also available with 1 Metallic filter:
Stainless Steel SL 16.1 IX
Cod. F030089 - EAN 8007842300895
White SL 16.1 (WH)
Cod. F030087 - EAN 8007842300871
Black SL 16.2 (BK)
Cod. F086971 - EAN 8007842869712



NEWSTYLE
Cod. F082248
EAN 8007842822489

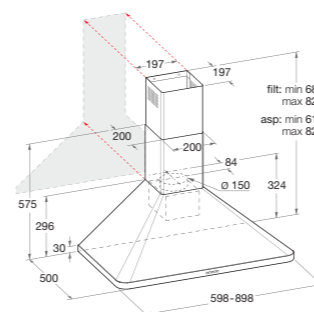
HNP 6.5 CM X

60 CM PYRAMID HOOD

- Mechanic Buttons
- IEC extraction 451 (m³/h)
- Sound level 70 dB(A)
- No. of speeds: 3
- 2 halogen lights x 25 Watt
- 2 Extractable Aluminium filters
- Dishwashers friendly filters

Stainless steel

Also available 90 cm:
HNP 9.5 CM X
Cod. F082249 - EAN 8007842822496



NEWSTYLE
Cod. F088220
EAN 8007842882209

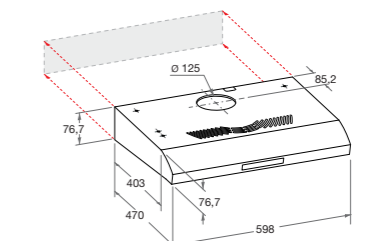
NEWSTYLE SLH 161 BK

60 CM VISOR HOOD

- Mechanical
- IEC extraction 140 (m³/h)
- Sound level 62 dB(A)
- No. of speeds: 3
- 1 halogen light x 28 Watt
- 1 Self-Supporting Metallic filter
- Dishwashers friendly filter

Black

Also available
SLH 161 IX - Stainless Steel
Cod. F088221 - EAN 8007842882216
SLH 161 WH - White
Cod. F088224 - EAN 8007842882247



Hoods



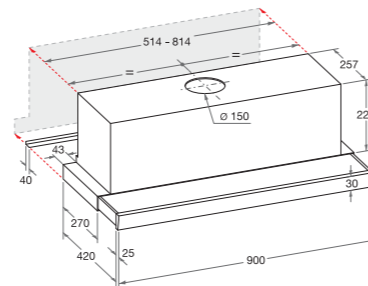
Cod. F083995
EAN 8007842839951

AH 90 CM IX

90 CM TELESCOPIC HOOD

- Slider
- IEC extraction 722 (m³/h)
- Sound level 67 dB(A)
- No. of speeds: 3
- 2 low consumption light x 28 Watt
- 2 Self Supporting Metallic filters
- Dishwashers friendly filters

Stainless steel



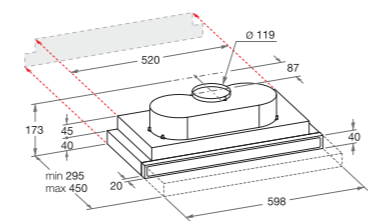
Cod. F030103
EAN 8007842301038

AH S2 FM.1 IX

60 CM TELESCOPIC HOOD

- Slider
- IEC extraction 440 (m³/h)
- Sound level 69 dB(A)
- No. of speeds: 3
- 2 light x 40 Watt
- 2 Self Supporting Aluminium filters
- Dishwashers friendly filters

Stainless steel



Hoods

Description	HLB 6.8 LT X	HNB 6.7 AD X	HNC 6.7 AB X	HNP 6.5 CM X
Aesthetic	Luce	Newstyle	Newstyle	Newstyle
Hood version	Convertible	Convertible	Convertible	Convertible
Speed	3 + Temporized Booster	3 + Temporized Booster	3 + Temporized Booster	3
IEC extraction (m³/h)	762	644	651	451
Sound Level maximum speed (DBA)	71	67	67	70
Hood Material	Stainless Steel+Glass	Stainless Steel	Stainless Steel	Stainless Steel
Type of control	Electronic	Electronic	Electronic	Mechanical
Type of control device	Touch Control	Buttons	Buttons	Buttons
Lights	2 Led x 3 Watt	2 Halogen X 20 Watt	2 Halogen X 20 Watt	2 Halogen X 25 Watt
No. grease filters	2	2	2	2
Filter Type	Self Supporting Aluminium	Extractable Aluminium	Extractable Aluminium	Extractable Aluminium
Filter Washable in Dishwashers	•	•	•	•
Diameter of Air Outlet (mm)	150	150	150	150
Carbon Filter Kit (part code)	F084231	F084231	F084231	F084230
Technical features				
Supply Voltage (V)	220-240	220-240	220-240	220-240
Supply Frequency (Hz)	50/60	50/60	50/60	50/60
Absorbed Power (W)	256	240	240	160
Absorbed Current (A)	1.1	1.04	1.04	0.7
Cable Length (m)	1.5	1.5	1.5	1.5
Dimensions				
HeightxWidthxDepth (cm)	64x59.8x50.6	63x59.8x50	65x59.8x50	61x59.8x50
Colour - Code				
Colour	Stainless steel	Stainless steel	Stainless steel	Stainless steel
Model	HLB 6.8 LT X	HNB 6.7 AD X	HNC 6.7 AB X	HNP 6.5 CM X
Code	F082251	F082238	F082243	F082248
Code EAN	8007842822519	8007842822380	8007842822434	8007842822489

Description	SL 19.1P IX	SL 16.1 P IX	SL 16.1	SLH 161 BK	AH 90 CM IX	AH S2 FM.1 IX
Aesthetic						
Hood version	Filter	Filter	Filter	Convertible	Air	Filter
Speed	3	3	3	3	3	3
IEC extraction (m³/h)	420	420	230	140	722	440
Sound Level maximum speed (DBA)	69	69	60	62	67	69
Hood Material	Stainless Steel	Stainless Steel	Stainless Steel	Stainless Steel	Stainless Steel	Stainless Steel
Type of control	Mechanical	Mechanical	Mechanical	Mechanical	Mechanical	Mechanical
Type of control device	Slider	Slider	Slider	Slider	Slider	Slider
Lights	2 Std X 40 Watt	2 Halogen X 20 Watt	2 std x 28 Watt	1 halogen x 28 Watt	2 low consumption x 28 Watt	2 Std X 40 Watt
No. grease filters	3	2	1	1	2	2
Filter Type	Self Supporting Aluminium	Self Supporting Aluminium	Metallic	Self-Supporting Metallic	Self Supporting Metallic	Self Supporting Aluminium
Filter Washable in Dishwashers	•	•	•	•	•	•
Diameter of Air Outlet (mm)	120	120	120	120	150	120
Carbon Filter Kit (part code)	F030072	F030072	F030072	F083624		F030257
Technical features						
Supply Voltage (V)	220-240	220-240	220-240	220-240	220-240	220-240
Supply Frequency (Hz)	50/60	50/60	50/60	50/60	50/60	50/60
Absorbed Power (W)	240	200	200	110	306	330
Absorbed Current (A)						1.4
Cable Length (m)				1.5	1.0	
Dimensions						
HeightxWidthxDepth (cm)	13.25x89.9x51.3	13.25x59.9x51.3	13.25x59.9x51.3	7.67x59.8x40.3	23x90x27	17.3x59.8x29.5
Colour - Code						
Colour	Stainless steel	Stainless steel	Stainless steel	Black	Stainless steel	Stainless steel
Model	SL 19.1P IX	SL 16.1 P IX	SL 16.1 IX	SLH 161 BK	AH 90 CM IX	AH S2 FM.1 IX
Code	F030098	F030090	F030089	F088220	F083995	F030103
Code EAN	8007842300987	8007842300901	8007842300895	8007842882209	8007842839951	8007842301038
Colour			White	Stainless Steel		
Model			SL 16.1 (WH)	SLH 161 IX		
Code			F030087	F088221		
Code EAN			8007842300871	8007842882216		
Colour			Black	White		
Model			SL 16.2 (BK)	SLH 161 WH		
Code			F086971	F088224		
Code EAN			8007842869712	8007842882247		

Ariston reserves the right to make changes to the technical specifications without notice

Hoods

Description	HLB 9.8 LTI X	HLC 9.8 ATI X	HLOB 9.8 LTI X	HKQV 9 K/HA	HDI 90 E	HGF 9.55 AB X	HGA 9.5 AM X	HNB 9.8 ADI X	HNC 9.7 AB X	HNP 9.8 AM X	HNB 9.7 AD X	HNP 9.5 CM X
Aesthetic	Luca	Luca	Luca	Luca	Diamond	Diamond	Diamond	Newstyle	Newstyle	Newstyle	Newstyle	Newstyle
Hood version	Convertible	Convertible	Convertible	Filter	Air	Convertible	Convertible	Convertible	Convertible	Convertible	Convertible	Convertible
Speed	3 + Temporized Booster	3 + Temporized Booster	3 + Temporized Booster	3 + Temporized Booster	12 + Temporized Booster	3 + Temporized Booster	3	3 + Temporized Booster	3 + Temporized Booster	3	3 + Temporized Booster	3
IEC extraction (m³/h)	762	772	767	630	570	486	434	762	651	760	644	451
Sound Level maximum speed (DBA)	71	71	69	69	66	61	69	71	67	72	67	70
Hood Material	Stainless Steel+Glass	Stainless Steel+Glass	Stainless Steel+Glass	Aluminium+Glass	Stainless Steel+Glass	Stainless Steel+Glass	Stainless Steel+Glass	Stainless Steel	Stainless Steel	Stainless Steel	Stainless Steel	Stainless Steel
Type of control	Electronic	Electronic	Electronic	Electronic	Electronic	Electronic	Mechanical	Electronic	Electronic	Electronic	Electronic	Mechanical
Type of control device	Touch Control	Touch Control	Touch Control	Touch Control	Buttons	Buttons	Buttons	Buttons	Buttons	Buttons	Buttons	Buttons
Lights	2 Led x 3 Watt	2 Halogen X 20 Watt	2 Led x 3 Watt	4 Halogen X 20 Watt	2 Std X 40 Watt	2 Halogen X 20 Watt	2 Halogen X 20 Watt	2 Halogen X 20 Watt	2 Halogen X 20 Watt	2 Halogen X 20 Watt	2 Halogen X 20 Watt	2 Halogen X 25 Watt
No. grease filters	3	3	1	1	2	1	1	3	3	3	3	3
Filter Type	Self Supporting Stainless Steel	Self Supporting Stainless Steel	Self Supporting Stainless Steel	Self Supporting Aluminium	Self Supporting Aluminium	Extractable Aluminium	Extractable Aluminium	Self Supporting Stainless Steel	Extractable Aluminium	Self Supporting Aluminium	Extractable Aluminium	Self Supporting Aluminium
Filter Washable in Dishwashers	•	•	•	•	•	•	•	•	•	•	•	•
Diameter of Air Outlet (mm)	150	150	150	150	150	150	150	150	150	150	150	150
Carbon Filter Kit (part code)	F084231	F084231	F084231	F057764	F057768	F084231	F084231	F084231	F084231	F084230	F084231	F084230
Technical features												
Supply Voltage (V)	220-240	220-240	220-240	220-240	220-240	220-240	220-240	220-240	220-240	220-240	220-240	220-240
Supply Frequency (Hz)	50/60	50/60	50/60	50/60	50/60	50/60	50/60	50/60	50/60	50/60	50/60	50/60
Absorbed Power (W)	256	290	256	290	255	185	150	290	240	290	240	160
Absorbed Current (A)	1.1	1.26	1.1	1.2	1.1	0.8	0.65	1.3	1.04	1.3	1.04	0.7
Cable Length (m)	1.5	1.5	1.5	1.5	1.5	1.5	1.5	1.5	1.5	1.5	1.5	1.5
Dimensions												
HeightxWidthxDepth (cm)	64x89.8x50.6	65x89.8x50	65x89.8x39.7	60x89.8x43.84	75x89.9x45	61x89.8x45.1	61x89.9x45	63x89.8x50	65x89.8x50	61x89.8x50	63x89.8x50	61x89.8x50
Colour - Code												
Colour	Stainless steel	Stainless steel	Stainless steel	Black	Stainless steel	Stainless steel	Stainless steel	Stainless steel	Stainless steel	Stainless steel	Stainless steel	Stainless steel
Model	HLB 9.8 LTI X	HLC 9.8 ATI X	HLOB 9.8 LTI X	HKQV 9 K/HA	HDI 90 E	HGF 9.55 AB X	HGA 9.5 AM X	HNB 9.8 ADI X	HNC 9.7 AB X	HNP 9.8 AM X	HNB 9.7 AD X	HNP 9.5 CM X
Code	F082244	F082246	F082247	F074128	F065291	F082245	F082252	F082250	F082237	F082236	F082241	F082249
Code EAN	8007842822441	8007842822465	8007842822472	8007842741285	8007842652918	8007842822458	8007842822526	8007842822502	8007842822373	8007842822366	8007842822410	8007842822496

HOODS

HOODS

H	L	P	9	.4	L	S	T	R	X
H: decorative Ariston	L: Luca	P: Pyramid	9: 90 cm	.5: gpz 500	L: Led	S: Automatic Sensor	T: Touch Basic	D: Dual antigreasefilter	X: Inox
	LQ: Luca Glass	C: Chimney	7: 70 cm	.5S: gpz 500 S	A: Halogen		A: Touch Medium	I: Stainless steel antigreasefilter	W: White
	N: Newstyle	B: T-Box	6: 60 cm	.6: gpz 600	C: Low Consumption		H: Touch High	C: Cylinder Charcoal Filter	OW: Old White
	K: Luca 2010	V: Vertical	5: 50 cm	.7: gpz 700			B: Soft Buttons	E: Energy Engine	K: Black
	KQ: Luca Glass 2010	T: Tube		.8: gpz 850			D: Soft button + Display	S: High Silence	AN: Antracite
	D: Diamond	F: Flat Glass New Style		.B: Brushless			M: Mechanic Buttons		
	G: Newstyle Glass	A: Curved Glass Newstyle							
	R: Tradition								

Ariston reserves the right to make changes to the technical specifications without notice



FRIDGES

“ I want the right level of humidity in my fridge ”



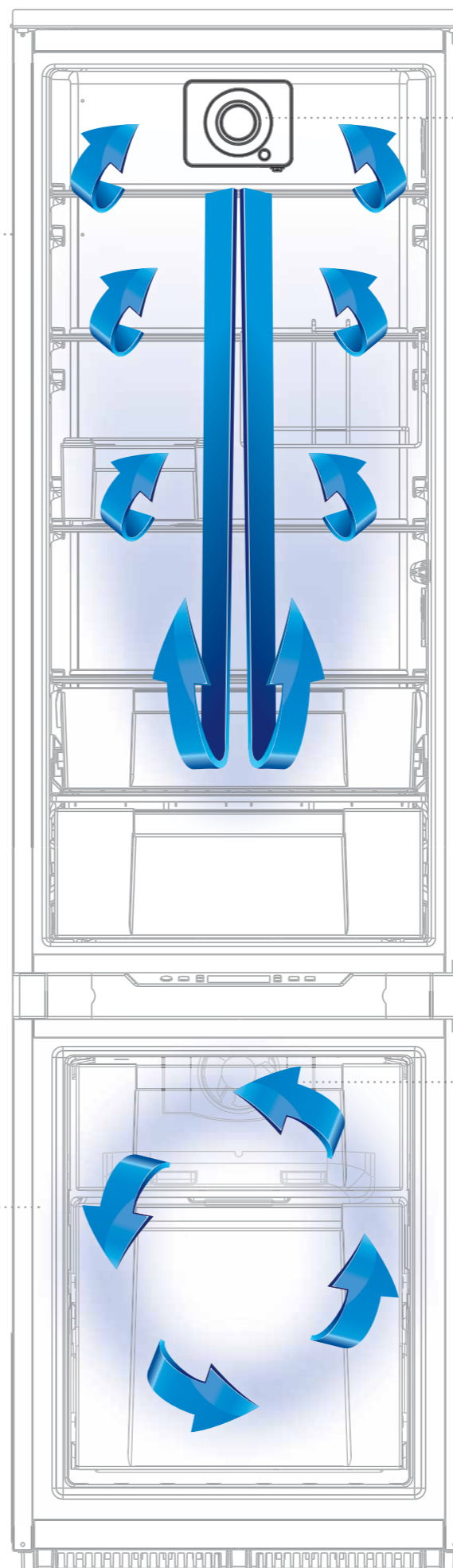
AIR Technology
A dynamic ventilation system
for improved air distribution and the right level of humidity.



AIR TECHNOLOGY VENTILATION. PERFECT AIR CIRCULATION.

EVENLY DISTRIBUTED INTERNAL TEMPERATURE AT ALL TIMES

With its new AIR Technology dynamic ventilation, perfect air circulation system keeps the internal temperature constant and evenly distributed. The air circulates throughout the fridge maintaining the right level of humidity and preventing food from drying out.



NEW AIR TECHNOLOGY FAN

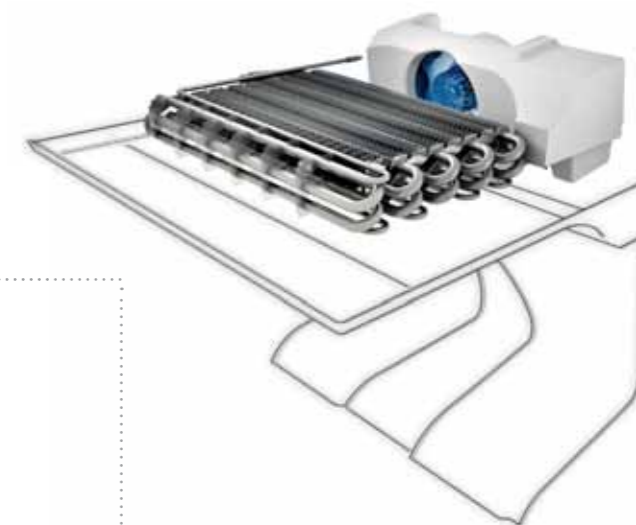
Its innovative, more linear and compact design reduces size and noise to a minimum.



NO FROST. FROST-FREE FOR LONGER FRESHNESS.

UNIFORM AIR CIRCULATION

With the No Frost system, a new fan on the rear wall of the freezer evenly distributes the cold humidity-free air which prevents frost formation and maintains food perfectly. Defrosting the freezer is a thing of the past; separate control of the air flow also prevents contamination of odours and flavours between the fridge and the freezer.



NEW NO FROST FAN

For higher performing forced ventilation.



MAXIMUM HYGIENE AND MORE NATURAL PROTECTION FOR FOOD.

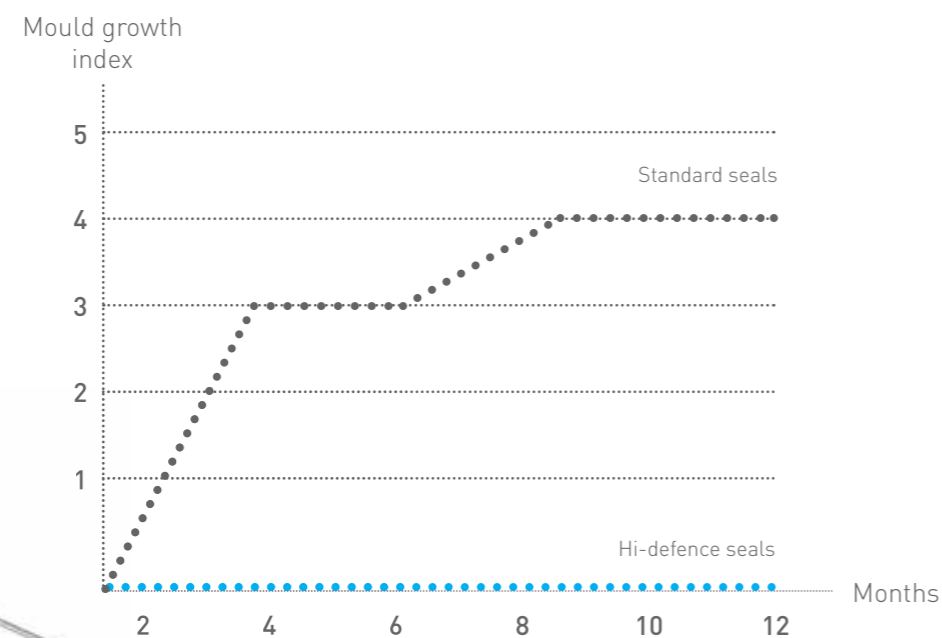
HYGIENE ADVANCE

Guaranteeing an ideal atmosphere for preserving the freshness of food for longer time also means guaranteeing maximum hygiene. This is why the inner walls of our new fridges are treated with silver ions, a completely natural system that prevents the formation of mould and bacteria and protects the integrity of food.

HI-DEFENCE SEALS

The innovative anti-mould and anti-bacterial Hi-Defence seals guarantee protection for even the more external areas of the fridge. Internal tests have demonstrated their effectiveness on five different types of moulds* by creating a protective barrier and guaranteeing the integrity of the seals for much longer.

* ASTM G 21-96 ISO 846 test on 5 different types of fungi (Aspergillus niger, Penicillium funiculosum, Paecilomyces variotii, Gliocadium virens, Chaetomium globosum).



NEW DISPLAY: SIMPLE AND INNOVATIVE.

The innovative and interactive digital display, which is ergonomic and easy to use, has been designed to make it even easier to select the Speed Cool, Super Freeze/Quick Freeze or Holiday functions with just one click. The new slanted level and enhanced lighting improve the visibility of the graphic interface and make it even easier to navigate through the menu or set the temperature.

HOLIDAY

With Holiday, if you are going to be away for some time, you can leave the fridge on and save a considerable amount of energy at the same time. The freezer continues to operate normally and a stand-by temperature is set in the empty fridge so that you can keep the door closed and the inside clean with no risk of mould or nasty smells.

DUAL CONTROL

The Dual Control device can be used to set different temperatures for the fridge and freezer parts while using only one compressor.

SPEED COOL

Thanks to intelligent control of the AIR fan, Speed Cool instantly reduces the temperature of the fridge section and minimises temperature changes even when introducing food you have just bought. The function is automatically deactivated as soon as the temperature of the food returns to an optimum refrigeration level.

QUICK FREEZE

This function, which is present in all No Frost models, can be used to freeze food much more quickly. The water in the food is transformed into micro ice crystals and this maintains the nutritional qualities of fresh and cooked food. After freezing, the temperature returns to the programmed level.

COOL DESIGN

FRESH ZONE

The new vegetable drawer has been enlarged: a 23 litre capacity and 20% more space than two separate drawers. A new lock system stops the drawer from coming out of its track and protects food from direct cooling. One version is available for all fridge models.



EXTRA SPACE

The new No Frost fridge/freezer models have a large freezer drawer which is even more spacious: 100% larger than a traditional drawer. The ideal place to store food of all sizes.



Combi



Cod. F078047
EAN 8007842780475

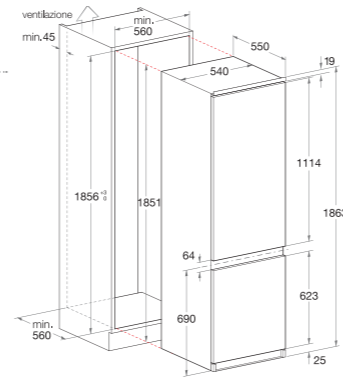
BCB 33 A F (AUS)



FRIDGE-FREEZER NO FROST

- Digital Display
- Tropical Climatic Class
- Total capacity 274 lt (217 lt fridge + 57 lt freezer ★★★★★)
- Open Door Acoustic Signal
- Hygiene Advance
- Fresh Box
- 4 glass shelves
- Maxi bottles
- Ice Tray
- Reversible doors
- **Energy Class: A**

Also available Mechanic:
BCB 33 A (CN)
Cod. F078049 - EAN 8007842780499



Cod. F078046
EAN 8007842780468

BCB 31 A F (EX)



FRIDGE-FREEZER NO FROST

- Digital Display
- Tropical Climatic Class
- Total capacity 257 lt (200 lt fridge + 57 lt freezer ★★★★★)
- Open Door Acoustic Signal
- Hygiene Advance
- Fresh Box
- 3 glass shelves
- Maxi bottles
- Ice Tray
- Reversible doors
- **Energy Class: A**

Also available in 60hz
BCB 31 A F 60HZ
Cod. F089508 - EAN 8007842895087



Cod. F078048
EAN 8007842780482

BCB 31 A T (EX)

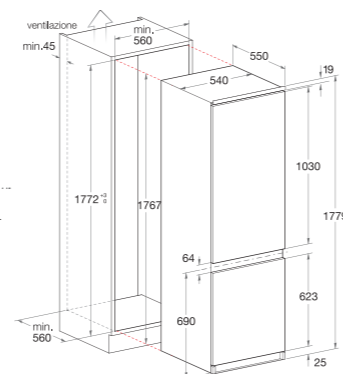


FRIDGE-FREEZER

- Mechanic
- Tropical Climatic Class
- Total capacity 275 lt (200 lt fridge + 75 lt freezer ★★★★★)
- Hygiene Advance
- Fresh Box
- 3 glass shelves
- Maxi bottles
- Ice Tray
- Reversible doors
- **Energy Class: A**

Soon available Electronic No Frost Tropical
Fridge Freezer 220V/60Hz with:
Taiwan plug : UK plug :
BCB 33 A F (TW)
Cod. F087001 - EAN 8007842870015

Also available in 60hz
BCB 31 A T 60HZ
Cod. F089509 - EAN 8007842895094



Fridge



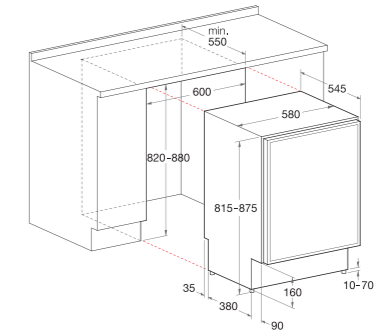
Cod. F077454
EAN 8007842774542

BTS 1621 CN



FRIDGE

- Total capacity 139 lt
- Conventional cooling system
- Hygiene Advance
- 2 shelves
- Reversible door



Wine Cellar

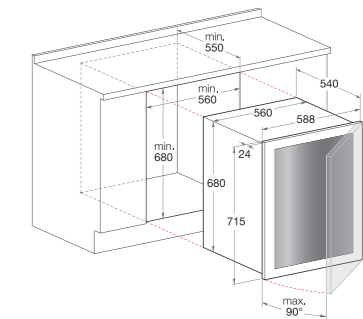


LUCE
Cod. F078295
EAN 8007842782950

WL 36

WINE CELLAR

- Digital Display
- Total capacity 36 bottles (0,75 lt)
- Homogeneous Temperature between 4-18°C
- 5 wood shelves
- Anti-UV Treatment Glass Door
- Electronic Thermostat
- Internal Light

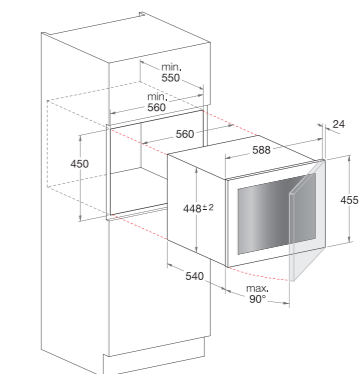


LUCE
Cod. F078296
EAN 8007842782967

WL 24

WINE CELLAR

- Digital Display
- Total capacity 24 bottles (0,75 lt)
- Homogeneous Temperature between 4-18°C
- 3 wood shelves
- Anti-UV Treatment Glass Door
- Electronic Thermostat
- Internal Light



Combi

Model	BCB 33 A F (AUS)	BCB 33 A (CN)	BCB 31 A T (EX)	BCB 31 A F (EX)	BCB 33 A F (TW)
Energy Class	(I) A	A	A	A	A
Total gross capacity	(l) 274	292	275	257	274
Total net capacity	(l) 268	270	255	252	268
Fridge gross capacity	(l) 217	217	200	200	217
Fridge net capacity	(l) 214	214	198	198	214
Freezer gross capacity	(l) 57	75	75	57	57
Freezer net capacity	(l) 54	57	57	54	54
Fridge compartment					
User Interface	Electronic-Digit	Mechanic	Mechanic	Electronic-Digit	Electronic-Digit
Energy consumption in 24 h	(kWh)		0,995	1,022	
Energy consumption per year	(kWh)		363	373	
Autonomy (energy blackout)	(h)		16,0	11,0	
Freezing capacity	(kg)		2,0	4,5	
Noise	(dBA)		43	39	
Climatic class	T	N,ST	T	T	T
Cooling system	Global Air • (Right)	Static • (Right)	Static • (Right)	Global Air • (Right)	Global Air • (Right)
Doors Reversibility	Hygiene Advance, Quick Freeze, Speed Cool	Hygiene Advance	Hygiene Advance	Hygiene Advance, Quick Freeze, Speed Cool	Hygiene Advance, Quick Freeze, Speed Cool
Special Features Accessories					
Smell-absorbing filters	•	•	•	•	•
Open door acoustic signal	•	•	•	•	•
Condenser	Normal R600	Normal R600	Normal R 134 A	Normal R600	Normal R600
Gas in the cooling circuit	Fan Air 2012	Static	Static	Fan Air 2012	Fan Air 2012
Fridge cooling system	Automatic	Automatic	Automatic	Automatic	Automatic
Fridge defrosting system	4	4	3	3	4
No. of shelves	BI Glass with alu profile	BI Glass with alu profile	BI Glass with alu profile	BI Glass with alu profile	BI Glass with alu profile
Fridge shelf type	No. of grid profiles				
Bottle/Can holder	Meat box				
Meat box	No. of salad crispers				
No. of salad crispers	Salad crisper colour				
Salad crisper colour	Salad crisper cover type				
Salad crisper cover type	Internal Light				
Internal Light	Total No. of levels				
Total No. of levels	No. of egg holders				
No. of egg holders	No. of butter boxes				
No. of butter boxes	Accessories				
Accessories	Fridge Special Accessories				
Fridge Special Accessories	Freezer compartment				
Freezer cooling system					
Total No. of compartments					
No. of ice trays					
ICE TRAY POSITION					
Independent regulation					
Electronic control					
Freezer Special Accessories					
Technical features					
Supply Voltage	(V)	220-240	220	220-240	220-240
Supply Frequency	(Hz)	50	50/60	50	50
Absorbed Power	(W)				
Absorbed Current	(A)		1,6	1	
Plug Type		Australian	China	United Kindom	Argentina
Cable Length	(m)	2	2	2	2
Dimensions					
HeightxWidthxDepth	(cm)	186.3x54x55	186.3x54x55	177.9x54x55	177.9x54x55
Built-in hole HxWxD	(cm)	185.6x56x56	185.6x56x56	177.5x56x55	177.5x56x55
Code		F078047	F078049	F078048	F078046
Code EAN		8007842780475	8007842780499	8007842780482	8007842780468
					8007842870015

Fridge

Model	BTS 1621 CN
Energy Class	
Total gross capacity	(l) 139
Total net capacity	(l) 123
Fridge gross capacity	(l) 139
Fridge net capacity	(l) 123
Freezer gross capacity	(l)
Freezer net capacity	(l)
Fridge compartment	
User Interface	Mechanic
Energy consumption in 24 h	(kWh) 0,43
Energy consumption per year	(kWh) 157
Autonomy (energy blackout)	(h)
Freezing capacity	(kg)
Noise	(dBA) 41
Climatic class	N,ST
Cooling system	Static
Doors Reversibility	• (Right)
Special Features Accessories	Hygiene Advance
Smell-absorbing filters	•
Open door acoustic signal	•
Condenser	Fan R600
Gas in the cooling circuit	Static
Fridge cooling system	Automatic
Fridge defrosting system	2
No. of shelves	Grid With White Profile
Fridge shelf type	2
No. of grid profiles	
Bottle/Can holder	
Meat box	
No. of salad crispers	1
Salad crisper colour	White
Salad crisper cover type	Transparent Plastic
Internal Light	•
Total No. of levels	3
No. of egg holders	1
No. of butter boxes	
Accessories	
Fridge Special Accessories	
Freezer compartment	
Freezer cooling system	
Total No. of compartments	
No. of ice trays	
ICE TRAY POSITION	
Independent regulation	
Electronic control	
Freezer Special Accessories	
Technical features	
Supply Voltage	(V) 220-240
Supply Frequency	(Hz) 50
Absorbed Power	(W) 50
Absorbed Current	(A) 0,7
Plug Type	China
Cable Length	(m) 2,0
Dimensions	
HeightxWidthxDepth	(cm) 81.5x58x54.5
Built-in hole HxWxD	(cm) 88x60x55
Code	F077454
Code EAN	8007842774542

Wine Cellar

Model	WL 36	WL 24
Aesthetic		
Energy Class	(I) D	E
Total gross capacity	(l) 101	67
Total net capacity	(l) 99	66
Fridge gross capacity	(l) 101	67
Fridge net capacity	(l) 99	66
Freezer gross capacity	(l)	
Freezer net capacity	(l)	
Fridge compartment		
User Interface	Electronic-Digit	Electronic-Digit
Energy consumption in 24 h	(kWh) 0,74	0,83
Energy consumption per year	(kWh) 27,0	30,6
Autonomy (energy blackout)	(h)	
Freezing capacity	(kg)	
Noise	(dBA) 45	45
Climatic class		
Cooling system	Fan (Right)	Fan (Right)
Doors Reversibility		
Special Features Accessories		
Smell-absorbing filters	•	•
Open door acoustic signal	•	•
Condenser	R 134 A	R 134 A
Gas in the cooling circuit	Static	Static
Fridge cooling system	Automatic	Automatic
Fridge defrosting system	5	3
No. of shelves	Wood	Wood
Fridge shelf type		
No. of grid profiles		
Bottle/Can holder		
Meat box		
No. of salad crispers		
Salad crisper colour		
Salad crisper cover type		
Internal Light	•	•
Total No. of levels		
No. of egg holders		
No. of butter boxes		
Accessories		
Fridge Special Accessories		
Freezer compartment		
Freezer cooling system		
Total No. of compartments		
No. of ice trays		
ICE TRAY POSITION		
Independent regulation		
Electronic control		
Freezer Special Accessories		
Technical features		
Supply Voltage	(V) 230	220-240
Supply Frequency	(Hz) 50	50/60
Absorbed Power	(W) 0,54	0,8
Absorbed Current	(A) Schuko	Schuko
Plug Type	1,5	1,5
Cable Length		
Dimensions		
HeightxWidthxDepth	(cm) 68x58.8x54	45.5x58.8x54
Built-in hole HxWxD	(cm) 68x56x55	45x56x55
Code	F078295	F078296
Code EAN	8007842782950	8007842782967

COMBI

1/2 letter: Brand	3/4 letters: Segment	5/6 number: Litre class	7 letters: Jolly	8/9/10 letters: Energy class	11 letters: Refrigeration system	12 letters: Opening	13 letters: Climatic class	14 letters: Chiller	15/16 letters: Active Oxygen/ Oxy Tech	17/18 letters: Specific country	19/20 letters:	21/22 letter: Anti Ice treatment	At the end
B: Ariston	CB: Combi	31: 310	0: different internal equipment	A: A	E: Air/Ele	S: Sinistro	T: Tropicale	C: Chiller 0°	03: Active Oxygen	(FR): France	FS: Free standing	AI: Anti Ice Coating	ECO: A++ No Frost (only for UK Model)
		33: 330		AA: A+	F: No Frost/Ele			OT: Oxy Tech		(RU): Russia			V: Old Air Ventilation System (only for mechanic)
		23: 230		AAA: A++						(EX): Export			

- 1) Based on 24 hours tests. The actual results depend on how the refrigerator is used and where it is placed.
- 2) SN=sub-normal, unchanged performance with external temperature between 10° and 32° C
N=normal, unchanged performance with external temperature between 16° and 32° C
ST= sub-tropical, unchanged performance with external temperature between 16° and 38° C
T= tropical, unchanged performance with external temperature between 16° and 43° C

For additional information about product's features, constantly updated according to the European regulation 1060/2010, please refer to our web site.

Ariston reserves itself to bring changes to the products technical without notice.

DISHWASHERS

ELEXIA

"I would like to be certain of removing the most obstinate dirt from my tableware items, like burnt residues and encrustations or particularly stubborn residues, without having to wash them by hand."



Zone Wash.

The perfect combination between outstanding cleaning and flexible loading to wash all the dishes you want, perfectly.



ZONE WASH. CONCENTRATED POWER TO REMOVE THE MOST STUBBORN DIRT.



Removing stubborn dirt is now history. By simply selecting the zone to be washed, the **Zone Wash technology** by Ariston will focus its full cleaning power on the selected rack. The resulting effect is a **localised wash** which **removes all kinds of residues**, including the most stubborn dirt.

30%

MORE EFFECTIVE

COMPARED TO A FULL-LOAD
INTENSIVE CYCLE

ZONE 1

ZONE 2

ZONE 3



ZONE WASH. THE ZONE WASHING TECHNOLOGY.

Zone Wash allows for selecting the rack on which to focus the cleaning power in relation to the type of tableware items and their degree of dirt. It can be activated with both the intensive and normal cycle. With the intensive cycle, Zone Wash allows for performing an ultra-intensive wash that is 30% more effective compared to a full-load intensive cycle. With the normal cycle, Zone Wash performs a normal-intensity wash which reduces energy consumption by 25% compared to a normal full-load cycle.

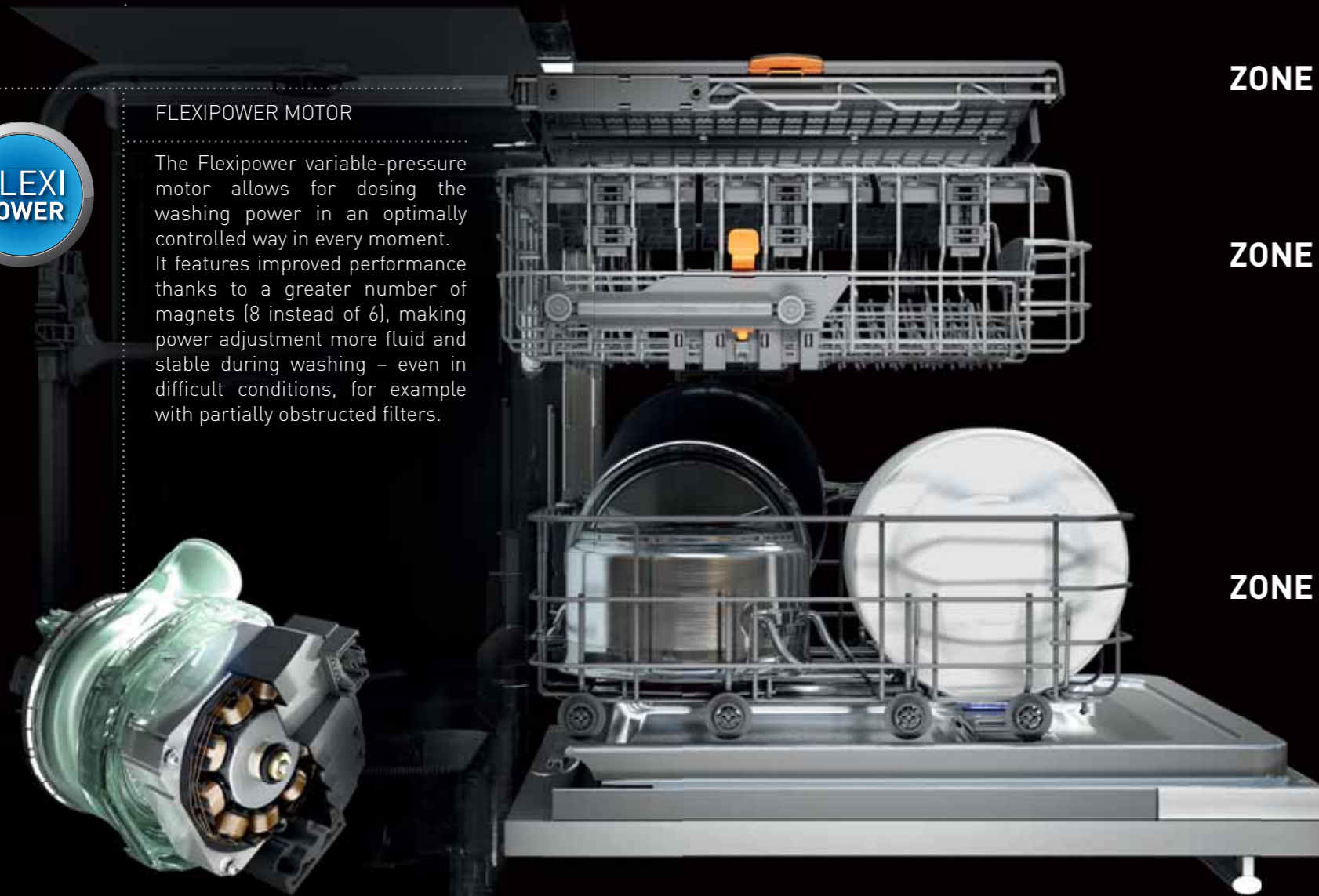
NEW HYDRAULIC SYSTEM WITH 3 SPRAYERS

The new hydraulic system is able to focus the maximum cleaning power on the selected wash zone. The 3 sprayers can be controlled separately, activated individually or simultaneously in pairs. They intervene on the chosen rack from above or below with the right degree of pressure.



FLEXIPOWER MOTOR

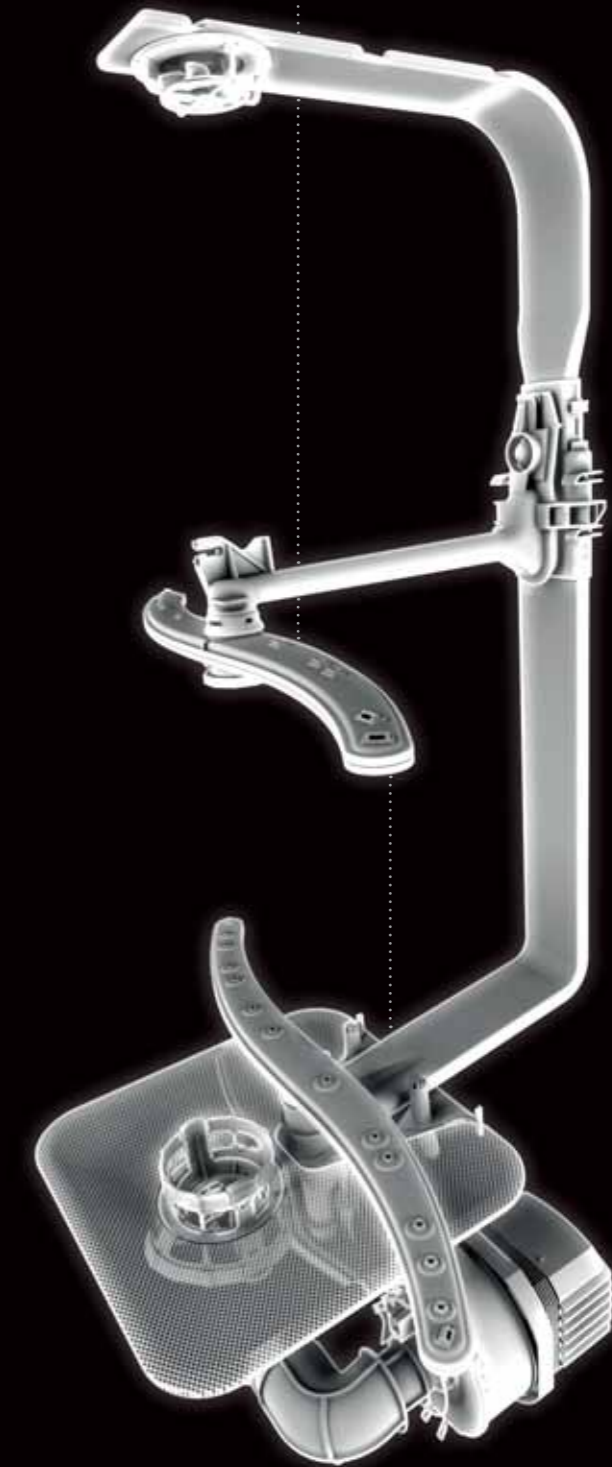
The Flexipower variable-pressure motor allows for dosing the washing power in an optimally controlled way in every moment. It features improved performance thanks to a greater number of magnets (8 instead of 6), making power adjustment more fluid and stable during washing – even in difficult conditions, for example with partially obstructed filters.



ZONE 3

ZONE 2

ZONE 1



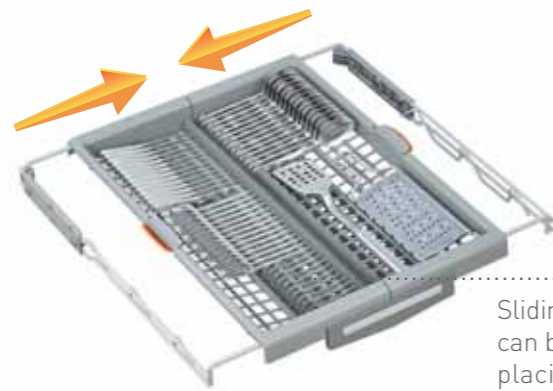


FLEXILOAD. MAXIMUM FLEXIBILITY IN MANAGING SPACE.

The new generation Flexiload system ensures maximum flexibility in loading up to 13, 14 or 15 place settings. Each configuration contains movable elements for arranging tableware items properly and effectively. The adjustment components are coloured to facilitate usage by the consumer.

ERGONOMIC HANDLES

With stainless steel inserts for improved grip and easier rack removal. Available in the versions for 14 and 15 place settings.



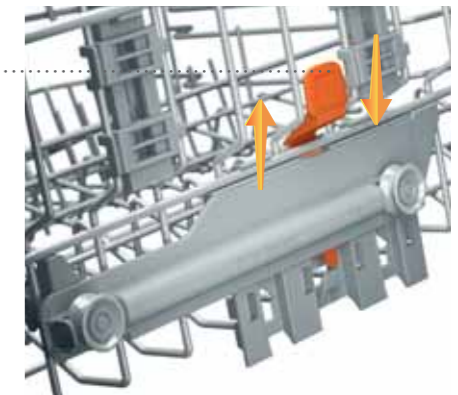
ULTRA-FLEXIBLE THIRD RACK

Sliding and modular, its surface can be reduced by one-third for placing bulky tableware items on the lower rack.



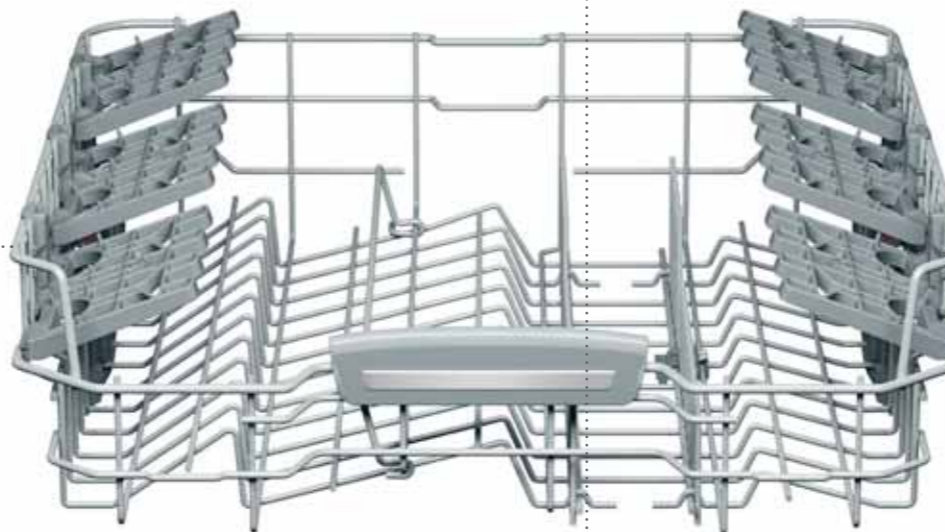
LIFT-UP

All models of the range are equipped with the lift-up mechanism for raising or lowering the second rack by 3.5 cm, depending on loading requirements. Moreover, the upper rack has telescopic slides and ball bearings for smoother rack sliding.



FOLDING RACKS ON 2ND RACK

The upper rack includes 4 folding racks for storing small and medium size plates and glasses, or tableware items of various sizes.



FOLDING RACKS ON 1ST RACK

The lower rack includes 8 folding racks which form 4 zones that can be managed separately, for housing the desired combination of pots or pans.



CUTLERY TRAY

Alongside the customary cutlery rack, some models are equipped with a handy, sliding and removable cutlery tray for greater flexibility in arranging the load.



PROGRAMMES



ECO

The wash cycle to which the energy label data refers, the most efficient in terms of consumption for normally soiled tableware.

AUTOMATIC PROGRAMMES

Thanks to the Flexipower variable-pressure motor and Sensor System, the intelligent turbidity sensor, the wash performances are automated for saving water and energy, as the parameters are set according to the degree of dirt.



INTENSIV

High pressure and temperature for heavily soiled tableware containing food encrustations.



NORMAL

Recommended for washing normally soiled tableware.



FAST

Up to 4 place settings, in addition to one large and one small pot, washed in approximately 60 minutes.



TRIO WASH

Designed for using different power levels depending on the rack, Trio Wash performs an intensive wash on the first rack and a normal wash on the other two racks.



DUO WASH

Two different treatments combined in a single programme: a delicate wash for glassware and tableware on the upper rack, a vigorous one for pots on the lower rack.



DELICATES

Its low temperature prevents thermal shocks from damaging glassware and crystal items.



EXPRESS 30'

For washing lightly soiled tableware soon after use, in merely 30 minutes.



GOODNIGHT

An even more silent cycle for using the dishwasher overnight.



SOAK

A cold water option designed for eliminating encrusted food residues when washing is postponed to a later stage.

FOR TOTAL HYGIENE



SANITISE

For washing and sanitising any kind of tableware in 80 minutes at high washing temperatures and without rinse aid release.



SELF-CLEAN

Removes, within 50 minutes, micro-organisms that could have developed inside the dishwasher. It is used with the appropriate dishwasher additive.

OPTIONS



ZONE WASH

Available in the two-level or three-level version, depending on the number of racks, it ensures maximum washing efficacy or energy saving by performing a localised wash on the selected rack. It can be activated with the intensive or normal programmes.



TABS

An option that maximises the efficacy of multi-purpose detergent tablets.



EXTRA DRY

Improves drying performance thanks to a higher temperature during the final rinse and an extended drying phase.



SHORT TIME

Reduces the programme duration by 30% without diminishing the washing results.



DISTRIBUTED HALF LOAD

For loading half the table settings distributed among the various racks, while ensuring the same washing efficacy with reduced consumption.

INSTALLATION

New spacers and a new end of installation kit have been designed for correct installation even in more difficult environments and locations. The new spacers, pre-installed during manufacturing on the sides of each dishwasher, increase the width by approximately 2-3 mm on each side so that the product is automatically placed in the centre of its slot.

The optional new end of installation kit, on the other hand, helps with the final stages of installation which are often critical by fixing the front and rear base and the kitchen end panel to the dishwasher. Clear, full instructions are given in the new instruction booklet. For store display, special feet on the base have been designed which stop the door from tilting when being opened.

SAFETY

To eliminate any risk of flooding, a safety system has been designed which can stop the water flow at the mains supply point.

Water Detector controls the amount of water in the dishwasher whereas if there is too much foam or the filter is clogged, the new Virtual Sensor intervenes. This can adjust motor speed and water supply to solve the problem without stopping the wash cycle.

There is also an additional safety level, **Water Stop**: a dual chamber pipe designed to withstand wear and tear and pressure 30 times higher than the pressure in domestic water systems.



ELEXIA 60 cm



Cod. F085880
EAN 8007842858808

LTF 11S112 AG



FULLY INTEGRATED

- 15 place settings
- Seven Digit
- 42 noise dB(A)
- **Energy Class: A+**
- Turbidity Sensor
- 11 programmes: Auto Fast, Auto Intensive, Auto Normal, Delicates, Eco, Express 30', Good Night, Sanitizing, Self Clean, Soak, Trio Wash
- Missing salt signal
- Missing sparkling aid signal
- Upper rack adjustment system: Lift Up Premium
- Upper rack sliding system: Super Sliding
- Type of lower rack: 8 Foldable, Pots & Pans Holder



Cod. F085694
EAN 8007842856941

LTF 8B019 C EX



FULLY INTEGRATED

- 13 place settings
- Seven Digit
- 49 noise dB(A)
- **Energy Class: A+**
- 8 programmes: Half load, Delicates, Eco, Express 40', Fast, Intensive, Normal, Soak
- Missing salt signal
- Missing sparkling aid signal
- Upper rack adjustment system: Lift Up
- Upper rack sliding system: Super Sliding
- Type of lower rack: Fixe



Cod. F085773
EAN 8007842857733

LTB 6M116 C EX 60HZ



FULLY INTEGRATED

- 14 place settings
- Led
- 46 noise dB(A)
- **Energy Class: A+**
- Turbidity Sensor
- 6 programmes: Auto Intensive, Auto Normal, Delicates, Eco, Express 40', Soak
- Missing salt signal
- Missing sparkling aid signal
- Upper rack adjustment system: Lift Up
- Upper rack sliding system: Super Sliding
- Type of lower rack: 4 Foldable

Also available:
LTB 6M116 C TW 60HZ
Cod. F087648 - EAN 8007842876482

Dishwashers Fully Integrated 60 cm



Cod. F083072
EAN 8007842830729

LFT M16 A AUS



FULLY INTEGRATED

- 14 place settings
- Led
- 51 noise dB(A)
- **Energy Class: A**
- 6 programmes: Delicates, Eco, Intensive, Normal, Fast '35, Soak
- Missing salt signal
- Missing sparkling aid signal
- Upper rack adjustment system: Lift up
- Upper rack sliding system: Super Sliding
- Type of lower rack: 4 Foldable

Also available with Flexi Power motor:
LFT M16 A TW.R
Cod. F081511 - EAN 8007842815115



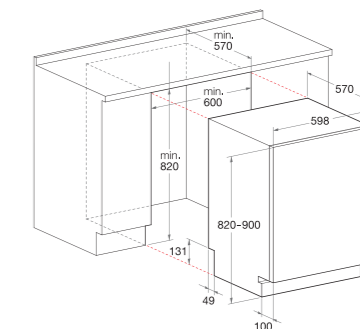
Cod. F081456
EAN 8007842814569

LFT 216 A TW.R



FULLY INTEGRATED

- 12 place settings
- Led
- 49 noise dB(A)
- **Energy Class: A**
- 6 programmes: Delicates, Intensive, Normal, Fast '35, Soak, Special Guest
- Missing salt signal
- Missing sparkling aid signal
- Upper rack adjustment system: Standard
- Upper rack sliding system: Super Sliding
- Type of lower rack: 4 Foldable



ELEXIA 60 cm



LUCE
Cod. F086064
EAN 8007842860641



LLK 7S112 X EX

PARTIAL INTEGRATED

- 15 place settings
- Knob with display digit
- 42 noise dB(A)
- **Energy Class: A+**
- Turbidity Sensor
- 7 programmes: Auto Intensive, Auto Normal, Delicates, Eco, Express 30', Soak, Trio Wash
- Missing salt signal
- Missing sparkling aid signal
- Upper rack adjustment system: Lift Up Premium
- Upper rack sliding system: Super Sliding
- Type of lower rack: Pots & Pans Holder, 8 Foldable

Also available (from and 2014):
LLK 7S112 X EX 60HZ
Cod. F086062 - EAN 8007842860627



NEWSTYLE
Cod. F085802
EAN 8007842858020



LSB 7M019 CX EX

PARTIAL INTEGRATED

- 14 place settings
- Knob
- 49 noise dB(A)
- **Energy Class: A+**
- 7 programmes: Delicates, Eco, Express 40', Fast, Intensive, Normal, Soak
- Missing salt signal
- Missing sparkling aid signal
- Upper rack adjustment system: Lift Up
- Upper rack sliding system: Super Sliding
- Type of lower rack: 4 Foldable

Dishwashers Partial Integrated 60 cm



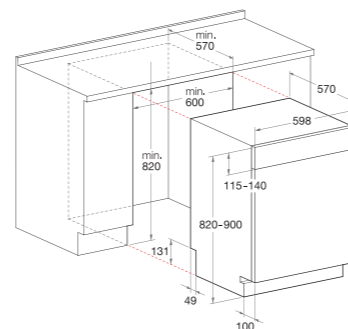
LUCE
Cod. F081513
EAN 8007842815139



PFT 834X EX.R

PARTIAL INTEGRATED

- 14 place settings
- Touch Control
- 41 noise dB(A)
- **Energy Class: A+**
- Turbidity Sensor
- 8 programmes: Auto Normal, Auto Super Wash, Baby Cycle, Delicates, Eco, Daily 60°C, Fast '27, Soak
- Missing salt signal
- Missing sparkling aid signal
- Upper rack adjustment system: DualSpace
- Upper rack sliding system: Super Sliding
- Type of lower rack: 8 Foldable



Dishwashers Partial Integrated 60 cm

Description	LLK 7S112 X EX 60HZ	LSB 7M019 CX EX	PFT 834X EX.R
Code	F086062	F085802	F081513
Segmento Mix	Partial Integrated	Partial Integrated	Partial Integrated
Aesthetic	Luce	Newstyle	Luce
Color	Stainless steel	Stainless steel	Stainless steel
User Interface	Knob with display digit	Knob	Touch Control
Washing Efficiency Class	A	A	A
Drying Efficiency Class	A	A	A
Energy Class	A+	A+	A+
Energy consumption ref.cycles (kWh)	1.07	1.04	0.98
Energy consumption ref.cycles kWh for year	302	295	285
Water Consup. rif.cycle (l)	11	11	10
Yearly Water consup.ref.cycle (l/annum)	3080	3080	2800
Duration of washing ref.cycle (min)	195	190	175
Noise (dBA)	42	49	41
Off-mode Consumption (W)	0.5	0.5	1.3
Left-on Consumption (W)	5	5	3
Left-on Length (min)	12	10	10
Standard Set No.	15	14	14
Features and functions			
No. programs	7	7	8
Type of programs	Auto Intensive, Auto Normal, Delicates, Trio Wash, Eco, Express 30', Soak	Delicates, Eco, Express 40', Fast, Intensive, Normal, Soak	Auto Normal, Auto Super Wash, Baby Cycle, Delicates, Eco, Daily 60°C, Fast '27, Soak
Washing temperature detail (°C)	40, 70	40, 70	40, 70
Delay Timer	1-24 h	3-6-9 h	1-24 h
Half Load			Up/Down
Sensor System	•	•	•
Turbidity Sensor	•	•	•
Water supply	Hot Or Cold	Hot Or Cold	Hot Or Cold
Motor	BLAC	Synchronous	BLAC
No. of adjustable dashboard inserts	3	•	3
Easy regulation	•	•	•
Front adjustable hinges	•	•	•
Rack configuration			
Upper rack adjustment system	Lift Up Premium	Lift Up	DualSpace
Upper rack sliding system	Super Sliding	Super Sliding	Super Sliding
Lower rack	Pots & Pans Holder, 8 foldable	4 Foldable	8 Foldable
Cutlery basket		Glissant non decomposable	Glissant decomposable
Technical features			
Supply Voltage (V)	220-240	220-230	220-240
Supply Frequency (Hz)	60	50	50
Absorbed Power (W)	1900	1750	1900
Potential of Heating Element (W)	1800	1650	1800
Fuses			
Plug Type	United Kindom	Schuko	United Kindom
Cable Length (m)			1.28
Dimensions			
HeightxWidthxDepth (cm)	82x59.8x57	82x59.8x57	82x59.8x57
Built-in hole HxWxD (cm)	82x60x57	82x60x57	82x60x57
Code EAN	8007842860627	8007842858020	8007842815139

Ariston reserves the right to make changes to the technical specifications without notice

Dishwashers Fully Integrated 60 cm

Description	LTF 11S112 AG	LTF 8B019 C EX	LTB 6M116 C EX 60HZ	LTB 6M116 C TW 60HZ	LFT M16 A AUS	LFT M16 A TW.R	LFT 216 A TW.R
Code	F085880	F085694	F085773	F087648	F083072	F081511	F081456
Segmento Mix	Full Integrated	Full Integrated	Full Integrated	Full Integrated	Full Integrated	Full Integrated	Full Integrated
Aesthetic							
Color							
User Interface	Seven Digit	Seven Digit	Led	Led	Led	Led	Led
Washing Efficiency Class	A	A	A	A	A	A	A
Drying Efficiency Class	A	A	A	A	A	A	A
Energy Class	A+	A+	A+	A+	A	A	A
Energy consumption ref.cycles (kWh)	1.07	1.04	1.03	1.03		1.03	1.05
Energy consumption ref.cycles kWh for year	302	295	293	293		288	294
Water Consup. rif.cycle (l)	11	11	11	11		10	14
Yearly Water consup.ref.cycle (l/annum)	3080	3080	3080	3080		2800	3920
Duration of washing ref.cycle (min)	195	190	190	190		175	155
Noise (dBA)	42	49	46	46	51	49	49
Off-mode Consumption (W)	0.5	0.5	0.5	0.5			
Left-on Consumption (W)	5	5	5	5			
Left-on Length (min)	10	10	12	12			
Standard Set No.	15	13	14	14	14	12	12
Features and functions							
No. programs	11	8	6	6	6	6	6
Type of programs	Auto Fast, Auto Intensive, Auto Normal, Delicates, Eco, Express 30', Good Night, Sanitizing, Self Clean, Soak, Trio Wash	Half load, Delicates, Eco, Express 40', Fast, Intensive, Normal, Soak	Auto Intensive, Auto Normal, Delicates, Eco, Express 40', Soak	Auto Intensive, Auto Normal, Delicates, Eco, Express 40', Soak	Delicates, Eco, Intensive, Normal, Fast '35, Soak	Delicates, Intensive, Normal, Fast '35, Soak, Special Guest	Delicates, Intensive, Normal, Fast '35, Soak, Special Guest
Washing temperature detail (°C)	40, 70	40, 70	40, 70	40, 70	40, 70	40, 70	40, 70
Delay Timer	1-12h	1-12h					
Half Load							
Sensor System	•		•	•			
Turbidity Sensor	•		•	•			
Water supply	Hot Or Cold BLAC	Hot Or Cold Synchronous	Hot Or Cold BLAC	Hot Or Cold BLAC	Hot Or Cold Synchronous	Hot Or Cold BLAC	Hot Or Cold BLDC
Motor							
No. of adjustable dashboard inserts	3						
Easy regulation	•	•	•	•	•	•	•
Front adjustable hinges	•	•	•	•	•	•	•
Rack configuration							
Upper rack adjustment system	Lift Up Premium	Lift Up	Lift Up	Lift Up	Lift Up	Standard	Standard
Upper rack sliding system	Super Sliding	Super Sliding	Super Sliding	Super Sliding	Super Sliding	Super Sliding	Super Sliding
Lower rack	8 Foldable, Pots & Pans Holder, Zig-Zag	Fixe	4 Foldable	4 Foldable	4 Foldable, Zig-Zag	4 Foldable, Zig-Zag	4 Foldable
Cutlery basket		Glissant non decomposable	Glissant non decomposable	Glissant non decomposable	Glissant non decomposable	Glissant non decomposable	Glissant non decomposable
Technical features							
Supply Voltage (V)	220-240	220-230	220-240	220-240	230-240	220	220
Supply Frequency (Hz)	50	50	60	60	50	60	60
Absorbed Power (W)	1900	1750	1900	1900	1750	1700	1900
Potential of Heating Element (W)	1800	1650	1800	1800	1650	1800	1800
Fuses							
Plug Type	Argentine	Schuko	United Kindom	United Kindom	Australian	Taiwan	United Kindom
Cable Length (m)	1.8	1.28			1.28	1.28	1.28
Dimensions							
HeightxWidthxDepth (cm)	82x59.8x57	82x59.8x57	82x59.8x57	82x59.8x57	82x59.8x57	82x59.8x57	82x59.8x57
Built-in hole HxWxD (cm)	82x60x57	82x60x57	82x60x57	82x60x57	82x60x57	82x60x57	82x60x57
Code EAN	8007842858808	8007842856941	8007842857733	8007842876482	8007842830729	8007842815115	8007842814569

DISHWASHERS

Tipology	Size	Business	User Inter.	Programs	Interiors	Flexipower	Energy	Noise	Special Features	Color	Country
L Dishwasher	60 cm	F: FS	B: basic knob -basic led	11: 11 Programs	S: Star 15 Pls	1: Yes	1: A+	1: 41 dBA	0: Active Oxygen	W: White for BI	IT
	S: 45 cm	T: Total Integrated	K: knob	10: 10 Programs	H: High 14 Pls	0: No	2: A++	2: 42 dBA	7: 7 litri	X: Inox	UK
	C: Ttop	S: BI Partial Style	F: digit	...	M: Med 14 Pls		3: A+++	...	C: Cutlery tray	G: Graphite	FR
		L: BI Partial Luce	D: LCD-Touch	4: 4 Programs	B: Basic 13 Pls			9: 49 dBA		A: Alu	EU
									S: Specific tactical code	B: Black	...
										V: Avena	

Ariston reserves the right to make changes to the technical specifications without notice